

D & D PRODUCTION INC.®

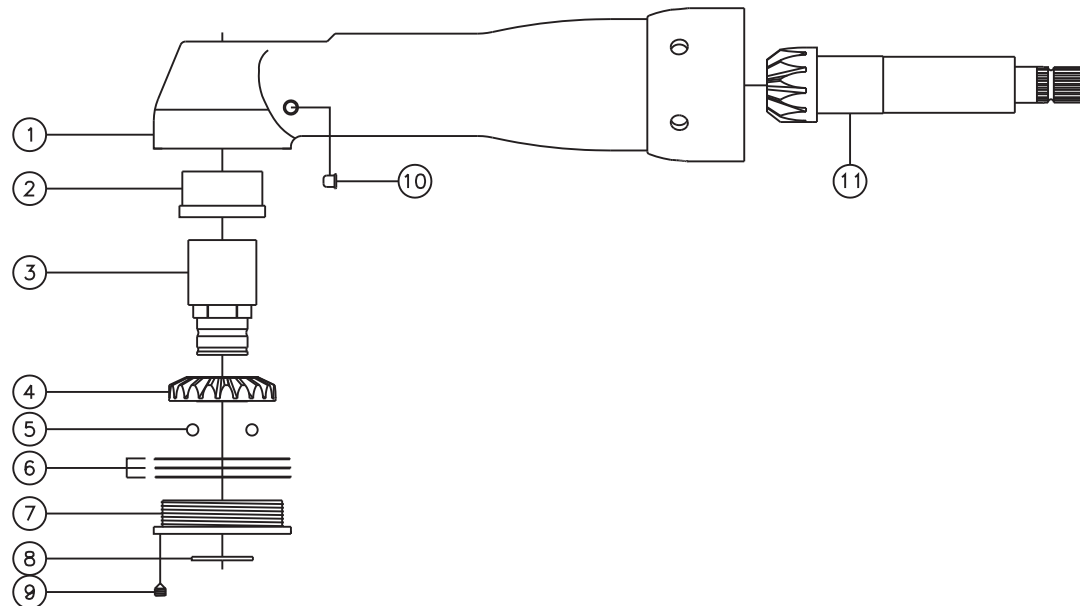
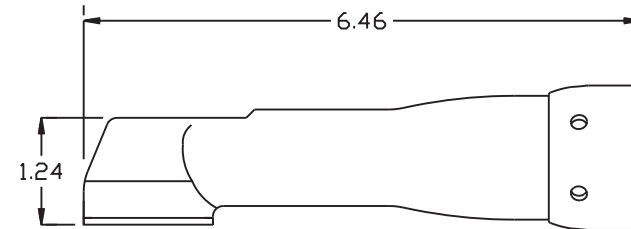
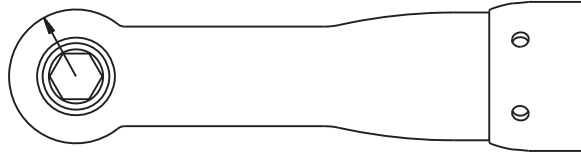
LPHAM3 (HEAD 1801A)

ANGLE HEAD
Rev. A
06-25-10

2500 WILLIAMS DRIVE • WATERFORD, MI • 48328

PHONE : (248) 334-2112 • FAX : (248) 334-0062

R0.75



ITEM	DESCRIPTION	PART NO.	ITEM	DESCRIPTION	PART NO.	ITEM	DESCRIPTION	PART NO.
1	Angle Head (Modified)	LPH-AM3-AH	11	Bevel Pinion Gear (Modified)	AM3-BP-M			
2	Vespel Sleeve Bearing	ABV-2432FL						
3	Flush Socket	FS-LPHAM3-XX-V						
4	Bevel Gear (Modified)	AM3-BG-M						
5	Ball Bearings (16)	LB-08						
6	Shim Set	W-5044-005-M						
7	End Nut	EN-LPHAM3						
8	Retaining Ring	WST-55						
9	Set Screw	SS-604CP-M						
10	Grease Fitting	1877						