

D & D PRODUCTION INC.®

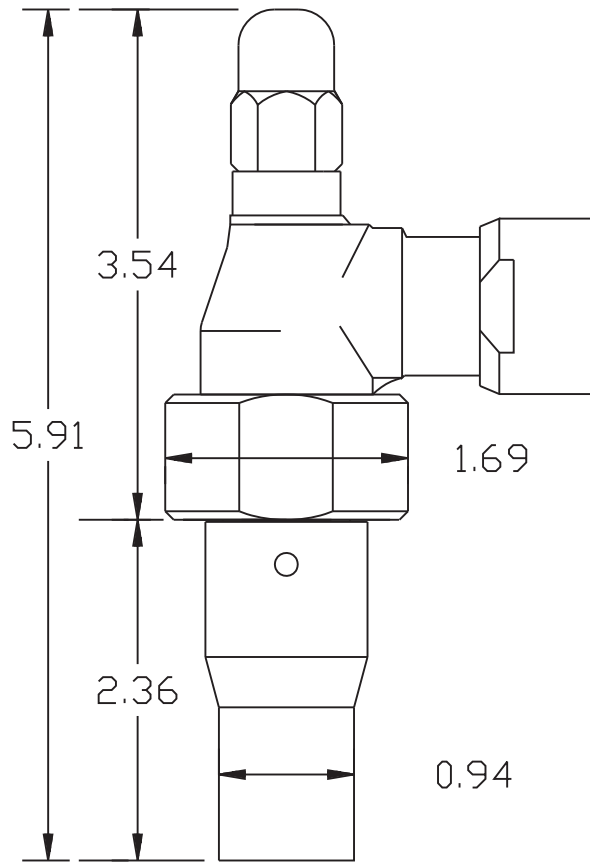
# ASSEMBLY HDRA451-D74SDH56 HEAD NO. 1930

HOLD & DRIVE ASS'Y  
Rev. A  
07-16-07

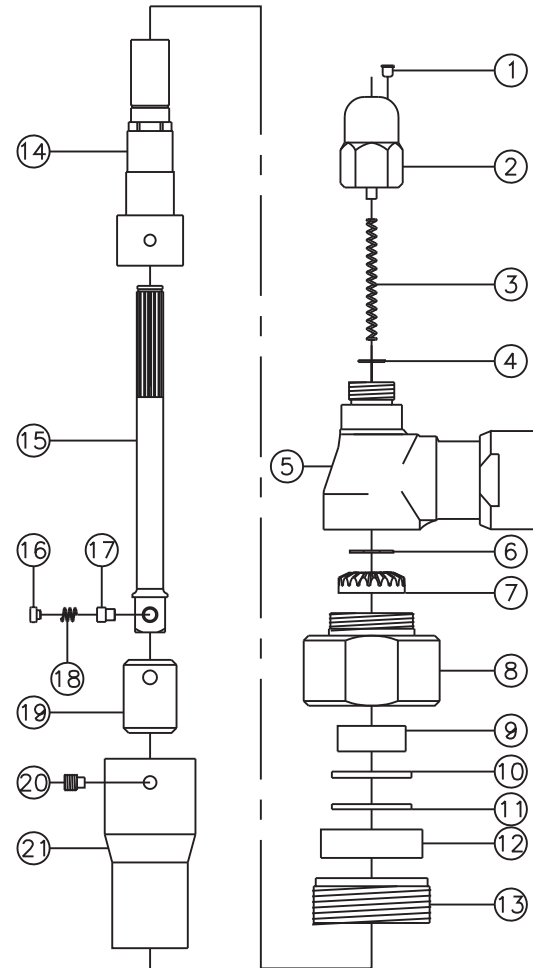
2500 WILLIAMS DRIVE • WATERFORD, MI • 48328

PHONE : (248) 334-2112 • FAX : (248) 334-0062

## ASSEMBLY



## PARTS BLOWOUT



ITEM	DESCRIPTION	PART NO.	ITEM	DESCRIPTION	PART NO.	ITEM	DESCRIPTION	PART NO.
1	Grease Fitting	1877	11	Thrust Race	TRB-916	21	Drive Socket	HDS-74SD58SD-A
2	Nut	N-RA451	12	Ball Bearing	6002			
3	Spring #1	CS-0848	13	End Nut Cap	NB-HD451			
4	Snap Ring #1	SH-31	14	Drive Shaft	DS-A451-58			
5	Angle Head (Modified)	A451-HD-AH	15	Hold Spindle	HS-14128-38MSD			
6	Snap Ring #2	MC-12	16	Plug	R-14			
7	Bevel Gear (Modified)	A451-BG-M	17	Pin	R-15			
8	End Nut	EN-HDRA451	18	Spring #2	#32			
9	Spacer	SP-5420	19	Hold Socket	HDS-2921-56			
10	Thrust Bearing	NTA-916	20	Set Screw (2)	SS-1004P			