

D & D PRODUCTION INC.®

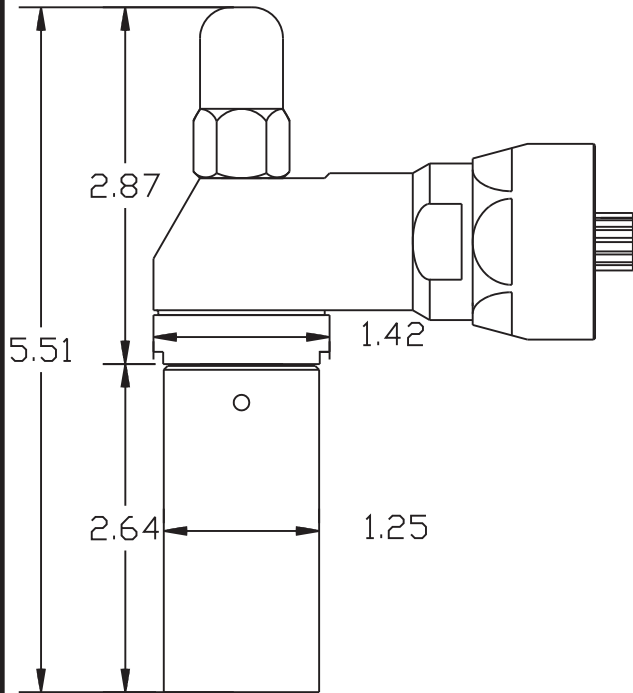
ASSEMBLY HDRA040-D68SDH54 HEAD NO. 1940

HOLD & DRIVE ASS'Y
Rev. A
12-23-08

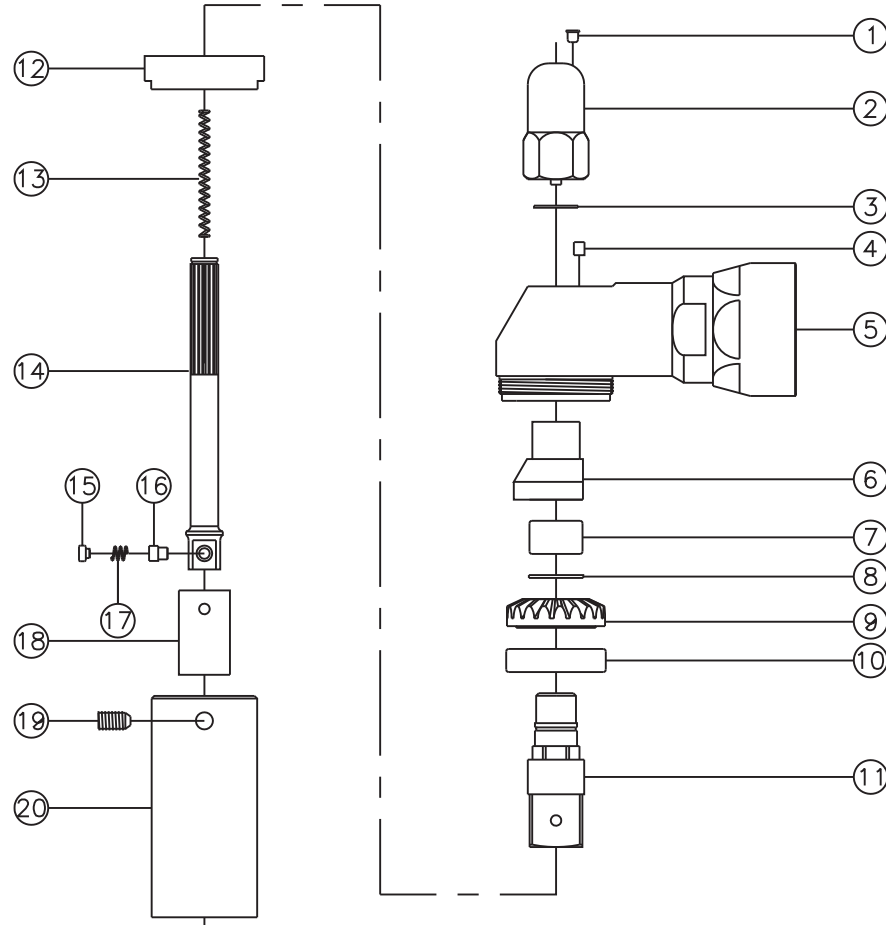
2500 WILLIAMS DRIVE • WATERFORD, MI • 48328

PHONE : (248) 334-2112 • FAX : (248) 334-0062

ASSEMBLY



PARTS BLOWOUT



| ITEM | DESCRIPTION | PART NO. | ITEM | DESCRIPTION | PART NO. | ITEM | DESCRIPTION | PART NO. |
|------|-----------------------|------------|------|---------------|--------------------|------|-------------|----------|
| 1 | Grease Fitting | 1877 | 11 | Drive Shaft | DS-A040-58 | | | |
| 2 | Nut | N-RA040 | 12 | End Nut | EN-HDRA040 | | | |
| 3 | Snap Ring #1 | SH-31 | 13 | Spring #1 | LC 016AA 14 | | | |
| 4 | Key | K-18S05 | 14 | Hold Spindle | HS-S10116B-38MSD | | | |
| 5 | Angle Head (Modified) | A040-HD-AH | 15 | Plug | R-14 | | | |
| 6 | Hold Spindle Guide | HSG-A040 | 16 | Pin | R-15 | | | |
| 7 | Needle Bearing | HK-1210 | 17 | Spring #2 | #32 | | | |
| 8 | Snap Ring #2 | SHI-50 | 18 | Hold Socket | HDS-1032-54-38SD | | | |
| 9 | Bevel Gear (Modified) | A040-BG-M | 19 | Set Screw (2) | SS-1006C | | | |
| 10 | Ball Bearing | 6903 | 20 | Drive Socket | HDS-2080-68SD-58SD | | | |