

D & D PRODUCTION INC.®

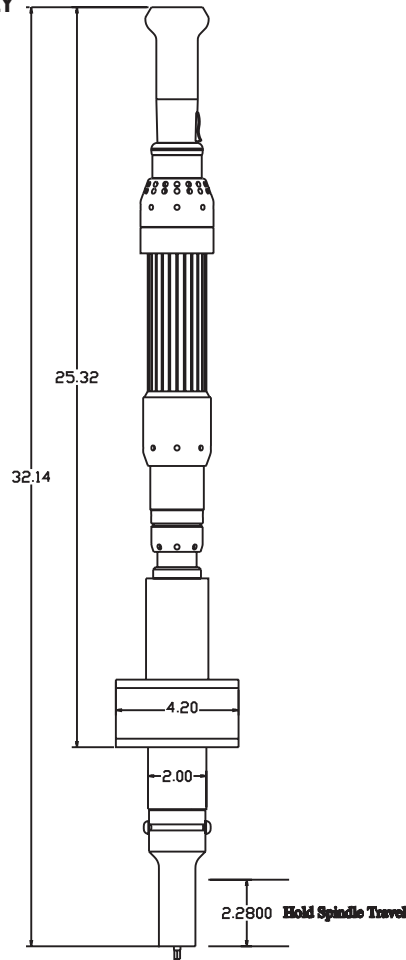
ASSEMBLY NO. HD140 HEAD NO. 1906

HOLD & DRIVE ASS'Y
Rev. A
12-01-06

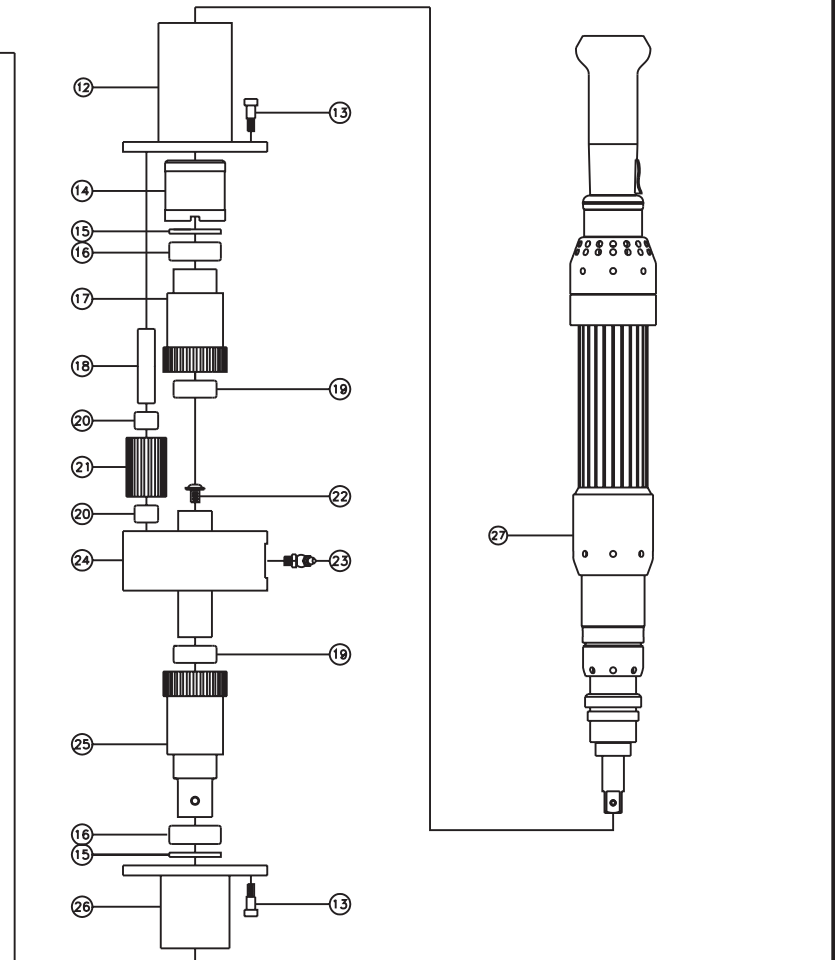
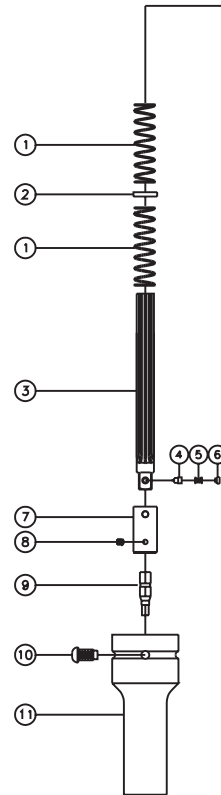
2500 WILLIAMS DRIVE • WATERFORD, MI • 48328

PHONE : (248) 334-2112 • FAX : (248) 334-0062

ASSEMBLY



PARTS BLOWOUT



ITEM	DESCRIPTION	PART NO.	ITEM	DESCRIPTION	PART NO.	ITEM	DESCRIPTION	PART NO.
1	Spring #1 (2)	LC-045H-9	11	Drive Socket	HDS-31149-76FL100SD	21	Idler Gear (3)	161755
2	Washer	TRC-815B	12	Motor Coupling	MC-HD-140	22	Screw #2	S-1406FLB
3	Hold Spindle	HS-16182-38MSD	13	Shoulder Bolt (6)	SB-1406	23	Grease Fitting	L5030
4	Pin	R15	14	Lock Nut	LN-HD140-D13	24	Body	HD-140-B
5	Spring #2	#32	15	Oil Seal (2)	OS-12330	25	Output Gear	1628136-100MSD
6	Plug	R14	16	Needle Bearing #1 (2)	B-208	26	Bottom Cover	HD140-P
7	Hold Socket	HDS-1143-56-38	17	Input Gear	162896-12SD	27	Motor	ETD S9-100-13CTADST
8	Set Screw	SS-803	18	Idler Pin (3)	IP-88D78	28	Lock Nut Skt, Not Drawn (Optional)	ENT-HD-140-D13
9	Hex Bit	HB-08M50M20GR	19	Needle Bearing #2 (2)	B-168			
10	Screw #1 (2)	S-509-P	20	Needle Bearing #3 (6)	B-88			