

D & D PRODUCTION INC.®

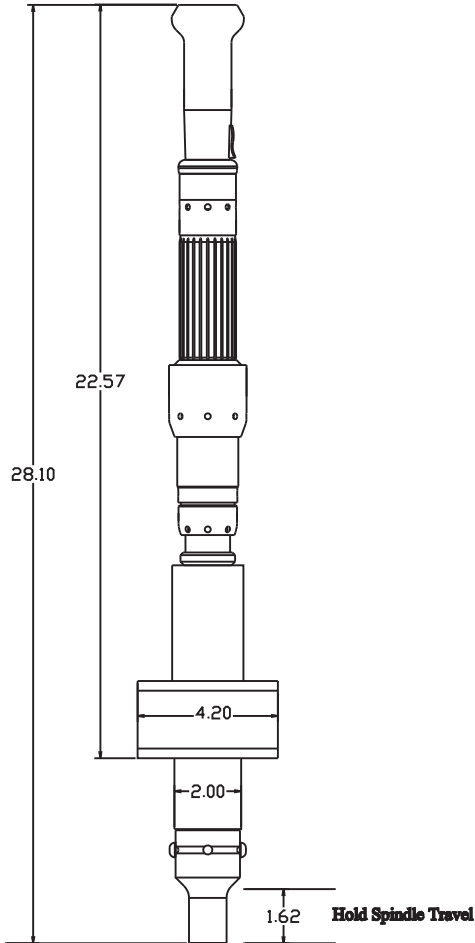
ASSEMBLY NO. HD140 HEAD NO. 1905B

HOLD & DRIVE ASS'Y
Rev. A
11-06-06

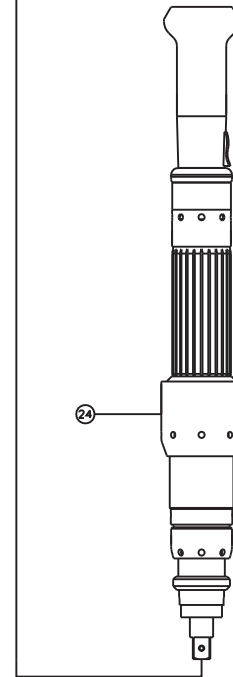
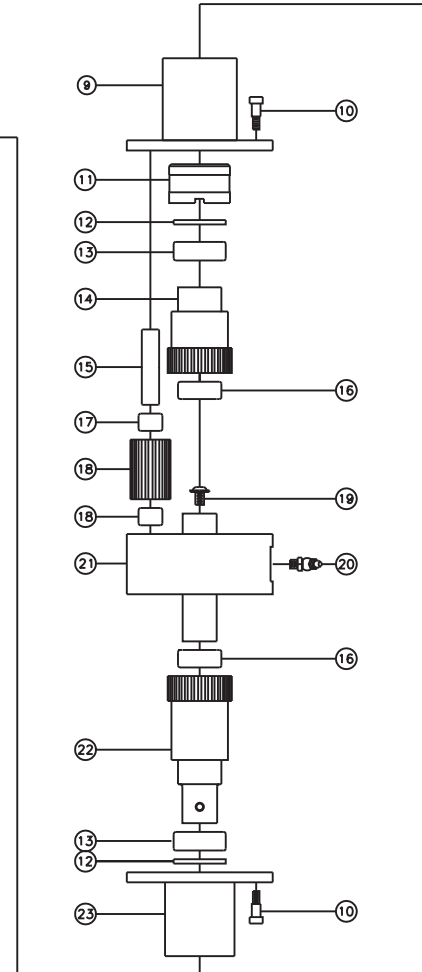
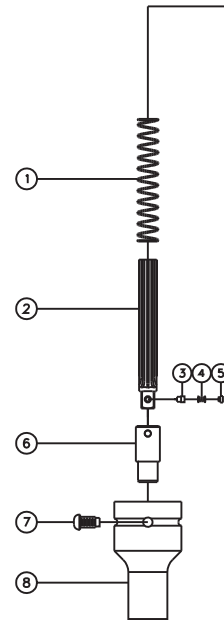
2500 WILLIAMS DRIVE • WATERFORD, MI • 48328

PHONE : (248) 334-2112 • FAX : (248) 334-0062

ASSEMBLY



PARTS BLOWOUT



ITEM	DESCRIPTION	PART NO.	ITEM	DESCRIPTION	PART NO.	ITEM	DESCRIPTION	PART NO.
1	Spring #1	LC-045H-14	11	Lock Nut	LN-HD140-ETDS770	21	Body	HD-140-B
2	Hold Spindle	HS-16137-38MSD	12	Oil Seal (2)	OS-12330	22	Output Gear	1628136-100MSD
3	Pin	R15	13	Needle Bearing #1 (2)	B-208	23	Bottom Cover	HD140-P
4	Spring #2	#32	14	Input Gear	162879-12SD	24	Motor	ETD S7-120-13CTADS
5	Plug	R14	15	Idler Pin (3)	IP-88D78	25	Lock Nut Skt, Not Drawn (Optional)	ENT-HD-140-D13
6	Hold Socket	HDS-1152-50FL-38	16	Needle Bearing #2 (2)	B-168	26		
7	Screw #1 (2)	S-509-P	17	Needle Bearing #3 (6)	B-88	27		
8	Drive Socket	HDS-32108-70FL100SDM	18	Idler Gear (3)	161755	28		
9	Motor Coupling	MC-HD140-ETDS770	19	Screw #2	S-1406FLB			
10	Shoulder Bolt (6)	SB-406	20	Grease Fitting	L5030			