

D & D PRODUCTION INC.®

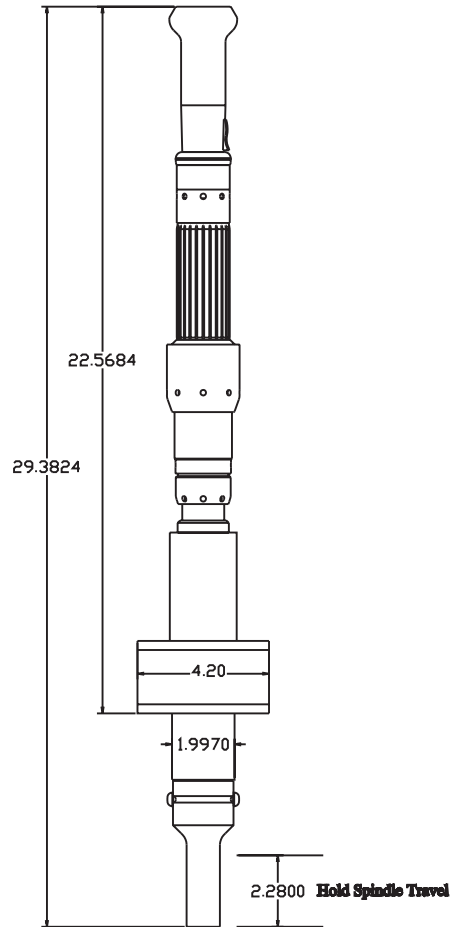
ASSEMBLY NO. HD140 HEAD NO. 1904

HOLD & DRIVE ASS'Y
Rev. A
10-20-06

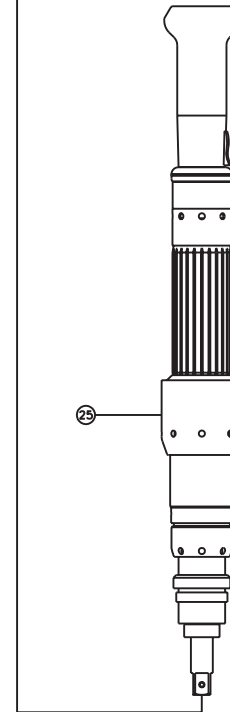
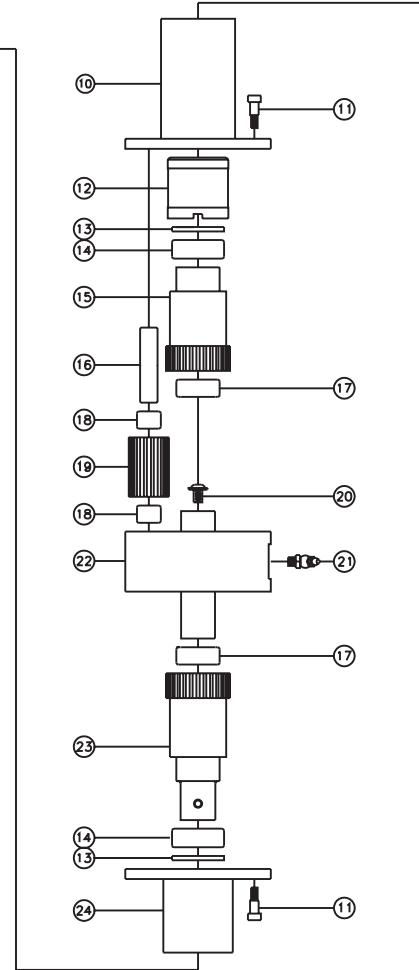
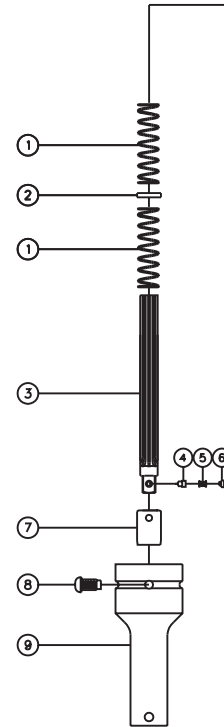
2500 WILLIAMS DRIVE • WATERFORD, MI • 48328

PHONE : (248) 334-2112 • FAX : (248) 334-0062

ASSEMBLY



PARTS BLOWOUT



ITEM	DESCRIPTION	PART NO.	ITEM	DESCRIPTION	PART NO.	ITEM	DESCRIPTION	PART NO.
1	Spring #1 (2)	LC-045H-9	11	Shoulder Bolt (6)	SB-1406	21	Grease Fitting	L5030
2	Washer	TRC-815B	12	Lock Nut	LN-HD140-D13	22	Body	HD-140-B
3	Hold Spindle	HS-16182-38MSD	13	Oil Seal (2)	OS-12330	23	Output Gear	1628136-100MSD
4	Pin	R15	14	Needle Bearing #1 (2)	B-208	24	Bottom Cover	HD140-P
5	Spring #2	#32	15	Input Gear	162896-12SD	25	Motor	ETD S7-120-13CTADST
6	Plug	R14	16	Idler Pin (3)	IP-88D78	26	Lock Nut Skt, Not Drawn (Optional)	ENT-HD-140-D13
7	Hold Socket	HDS-1132-56SD-38	17	Needle Bearing #2 (2)	B-168	27		
8	Screw #1 (2)	S-509-P	18	Needle Bearing #3 (6)	B-88	28		
9	Drive Socket	HDS-31149-76FL100SDM	19	Idler Gear (3)	161755			
10	Motor Coupling	MC-HD-140	20	Screw #2	S-1406FLB			