

D & D PRODUCTION INC.®

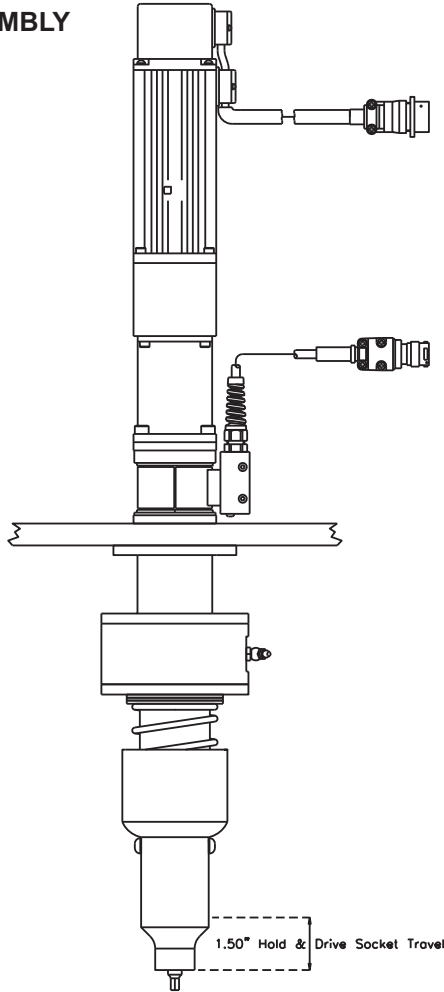
ASSEMBLY NO. HD140 HEAD NO. 1901

HOLD & DRIVE ASS'Y
Rev. A
01-13-06

2500 WILLIAMS DRIVE • WATERFORD, MI • 48328

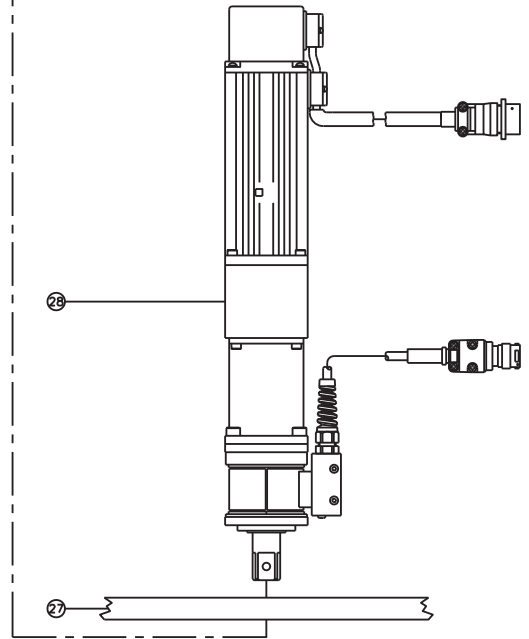
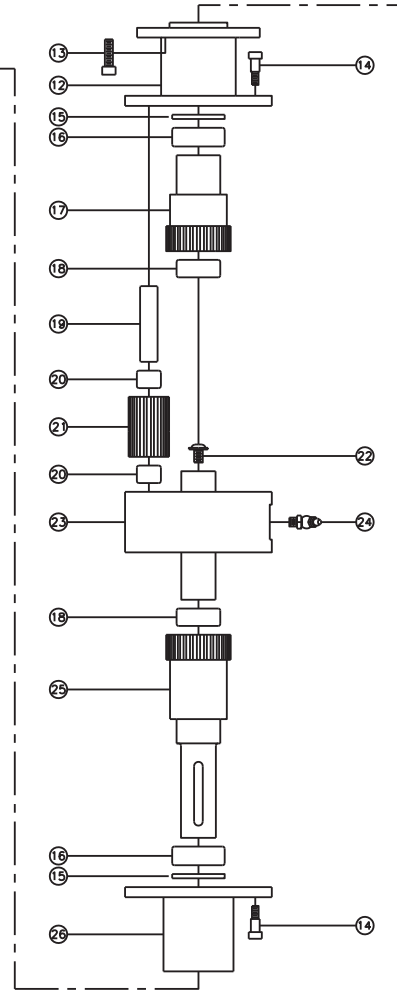
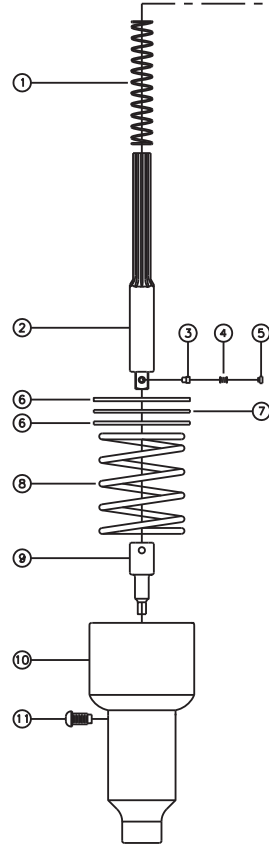
PHONE : (248) 334-2112 • FAX : (248) 334-0062

ASSEMBLY



1.50" Hold & Drive Socket Travel

PARTS BLOWOUT



ITEM	DESCRIPTION	PART NO.	ITEM	DESCRIPTION	PART NO.	ITEM	DESCRIPTION	PART NO.
1	Spring #1	LC-045H-14	11	Guide Screw (2)	S-509-P	21	Idler Gear (3)	161755
2	Hold Spindle	HS-16216-38MSD	12	Motor Coupling	MC-HD140-NFT132	22	Screw #2	S-1406FLB
3	Pin	R-15	13	Screw #1 (4)	S-M6X19SH	23	Body	HD-140-B
4	Spring #2	#32	14	Shoulder Bolt (6)	SB-406	24	Grease Fitting	L5030
5	Plug	R-14	15	Oil Seal (2)	OS-12330	25	Output Gear	1628186-100MSD
6	Thrust Race (2)	TRC-3244	16	Needle Bearing (2)	B-208	26	Bottom Cover	HD-140-P
7	Thrust Bearing	NTA-3244	17	Input Gear	162888-58SD	27	Mounting Plate	N/A
8	Spring #3	CS-4203	18	Needle Bearing (2)	B-168	28	Motor	NFT-132-S
9	Hold Socket	HS-1163-M52	19	Idler Pin (3)	IP-88D78			
10	Drive Socket	HDS-32205-76FL-100SD	20	Needle Bearing (6)	B-88			