



D & D PRODUCTION INC.®

ASSEMBLY NO. CF3.875

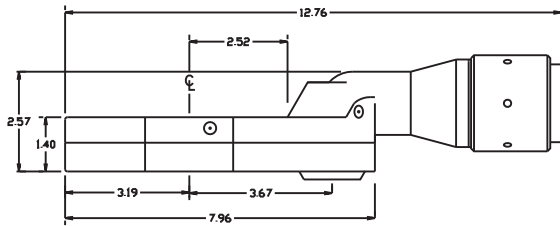
HEAD NO. 150

CROWFOOT ASS'Y
Rev. A
11-27-07

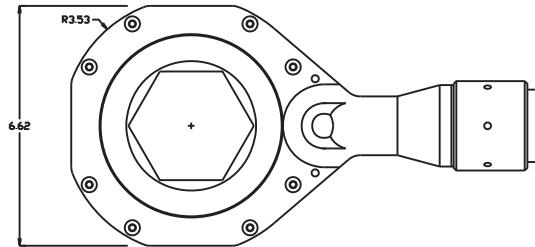
2500 WILLIAMS DRIVE • WATERFORD, MI • 48328

PHONE : (248) 334-2112 • FAX : (248) 334-0062

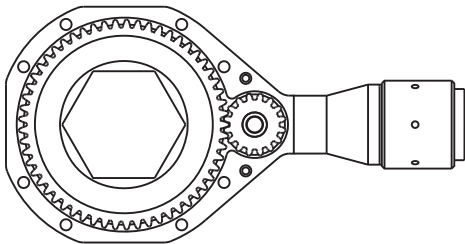
SIDE VIEW



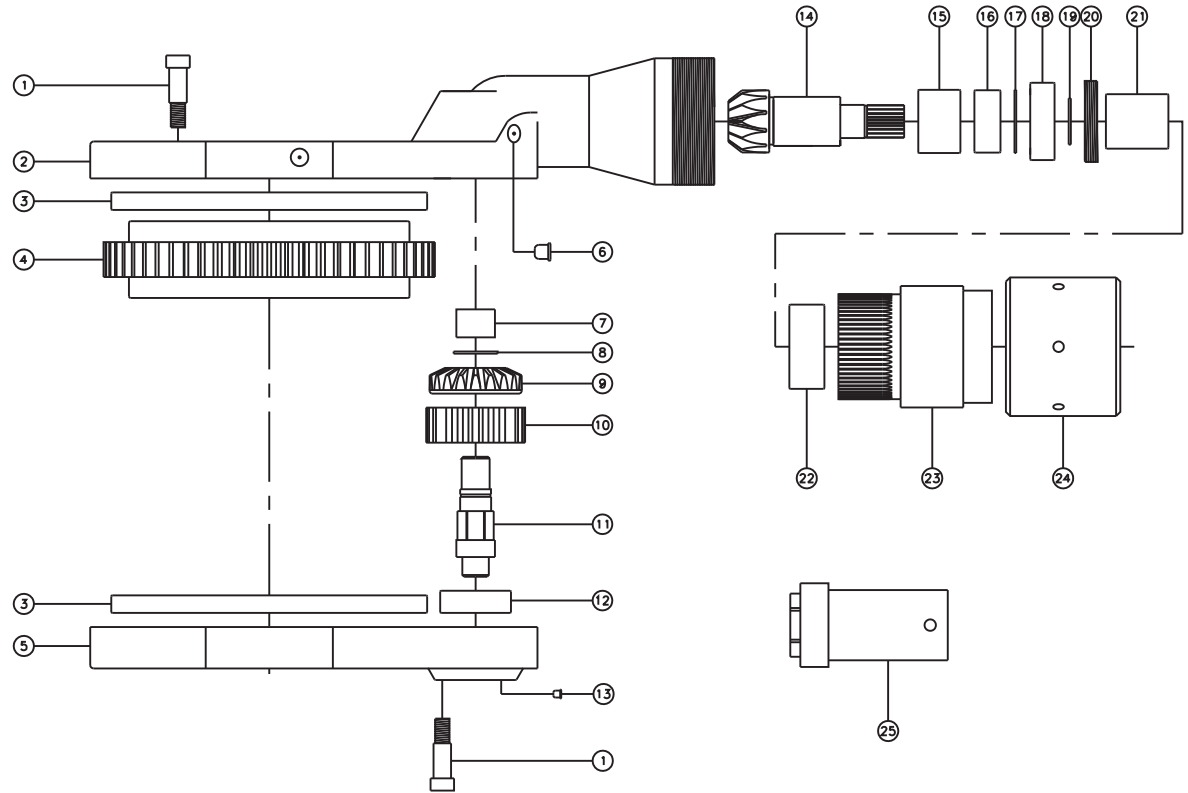
TOP VIEW



GEAR ASSEMBLY



PARTS BLOWOUT



ITEM	DESCRIPTION	PART NO.	ITEM	DESCRIPTION	PART NO.	ITEM	DESCRIPTION	PART NO.
1	Shoulder Bolt (10)	SB-510	11	Drive Shaft	DS-2277	21	Drive Shaft	DS-S12F3136
2	Gear Housing (Top)	CF3.875H	12	Ball Bearing	7201K	22	Lock Nut	LN-AEM3100
3	Ball Bearing (2)	6656K25	13	Grease Fitting #2	1877	23	Motor Coupling	MC-AEM3100
4	Socket Gear	105741-XX	14	Bevel Pinion Gear	662P-A	24	Nut	N-CF3.875
5	Gear Housing (Bottom)	CF3.875P	15	Needle Bearing	B-1412	25	End Nut Tool (Optional)	ENT-AEM3100
6	Grease Fitting #1 (2)	1885	16	Spacer	SP-7130			
7	Needle Bearing	M-881	17	Washer	TRA-1423B			
8	Snap Ring #1	DSH-14	18	Ball Bearing	7202W			
9	Bevel Gear	662-G2	19	Snap Ring #2	DSH-15			
10	Drive Gear	101620	20	End Nut	EN-2307			