



D & D PRODUCTION INC.®

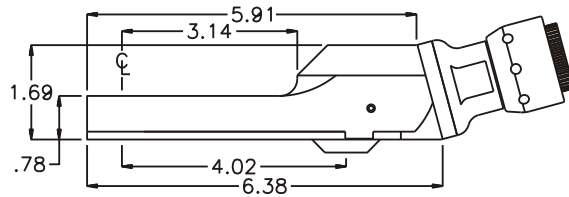
ASSEMBLY NO. CF155 HEAD NO. 102A4

FOR ATLAS COPCO LTV38 R57-13 MOTOR

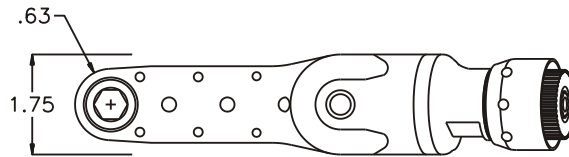
CROWFOOT ASS'Y
Rev. A
04-22-03

2500 WILLIAMS DRIVE • WATERFORD, MI • 48328 PHONE : (248) 334-2112 • FAX : (248) 334-0062

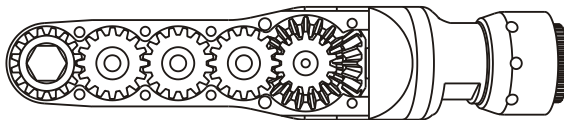
SIDE VIEW



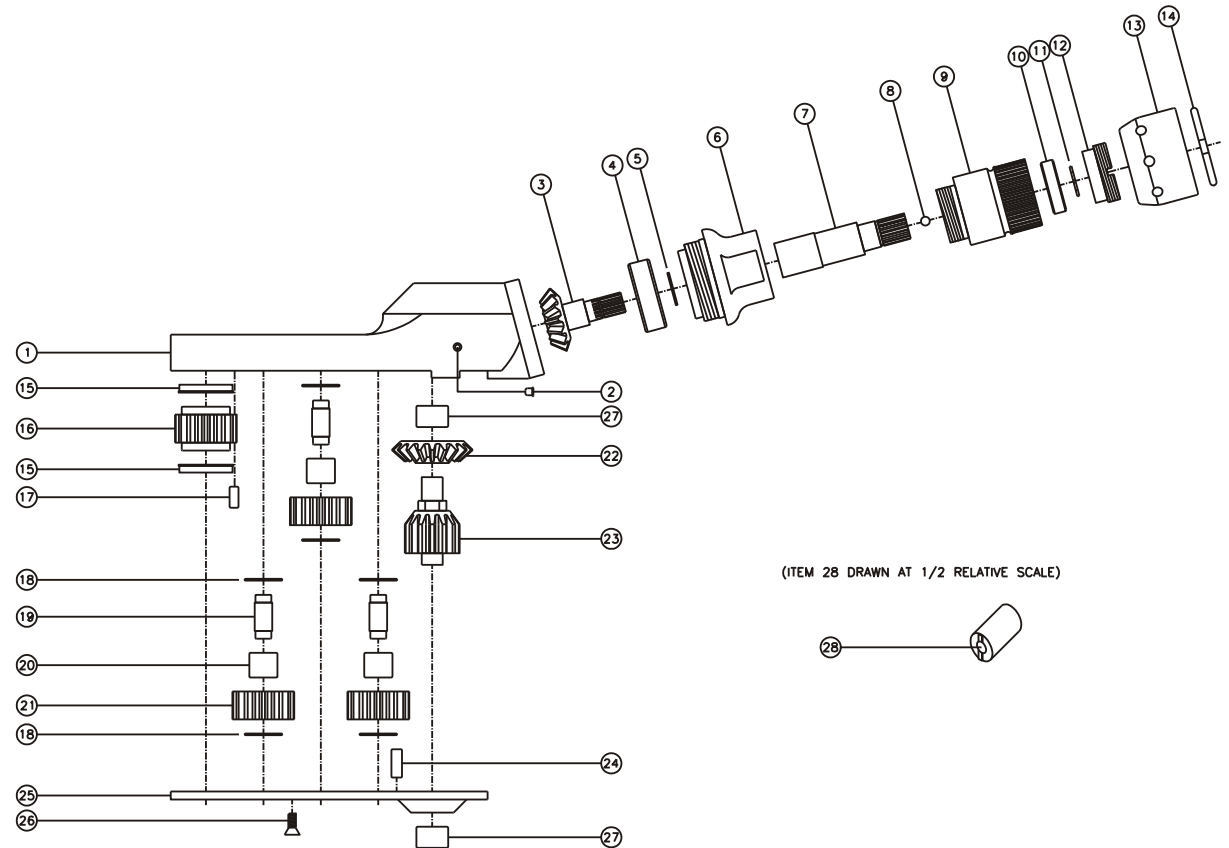
TOP VIEW



GEAR ASSEMBLY



PARTS BLOWOUT



ITEM	DESCRIPTION	PART NO.	ITEM	DESCRIPTION	PART NO.	ITEM	DESCRIPTION	PART NO.
1	Gear Housing	CF155-H2	11	Snap Ring	51114	21	Idler Gear (3)	161616S2
2	Grease Fitting	1877	12	End Nut	EN-3428	22	Bevel Gear	151-G
3	Bevel Pinion Gear	151-P	13	Motor Nut	N-R5713	23	Drive Gear	161425-DG
4	Ball Bearing	201KD	14	Circlip	R5713-C	24	Dowel Pin #2 (2)	DP-1208
5	Snap Ring	SH-37	15	Bushing (2)	A-5509	25	Bottom Plate	CF155-P
6	Attachment Coupling	MC15-A	16	Socket Gear	161625S-XX	26	Screw (6)	S-806
7	Drive Shaft	DS-S2076	17	Dowel Pin #1 (2)	DP-1006	27	Needle Bearing (2)	M-661
8	Bearing Ball	LB-4M	18	Thrust Race (6)	TRA-512M1	28	End Nut Socket (Optional)	ENT-10
9	Motor Coupling	MC-R5713	19	Idler Pin (3)	IP-5725B			
10	Ball Bearing	6901	20	Needle Bearing (3)	B-57i			