

D & D PRODUCTION INC.®

ASSEMBLY AM6-HD340-D100SDE55-H56

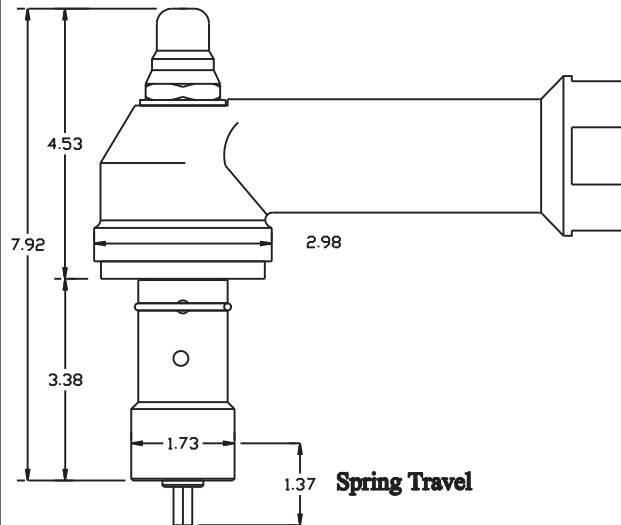
HEAD NO. 1931

HOLD & DRIVE ASS'Y
Rev. A
08-17-07

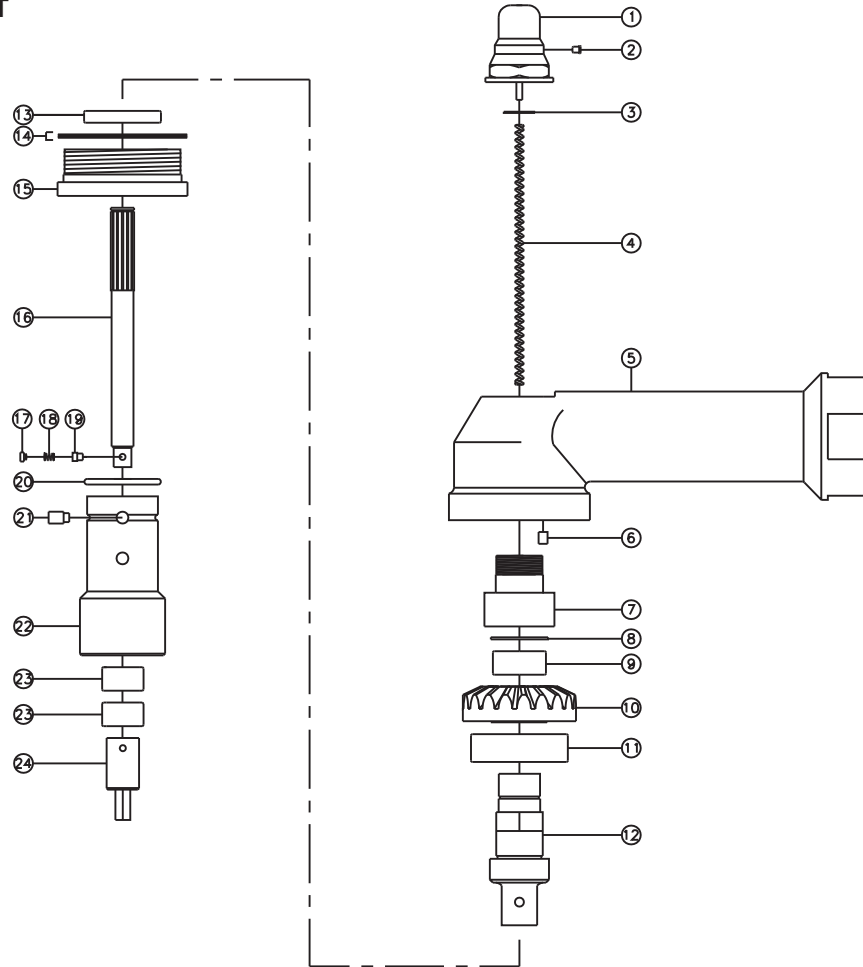
2500 WILLIAMS DRIVE • WATERFORD, MI • 48328

PHONE : (248) 334-2112 • FAX : (248) 334-0062

ASSEMBLY



PARTS BLOWOUT



ITEM	DESCRIPTION	PART NO.	ITEM	DESCRIPTION	PART NO.	ITEM	DESCRIPTION	PART NO.
1	Nut	N-128RH10A	11	Ball Bearing	205W	21	Lock Pin (2)	0814-SP
2	Grease Fitting	1877	12	Drive Shaft	DS-AM6-HD340	22	Drive Socket	HDS-28108-100SD
3	Snap Ring #1	SH-43	13	Oil Seal	Customer Supplied	23	Needle Bearing #2 (2)	B-118
4	Spring #1	CS-06176	14	Shim Set	Customer Supplied	24	Hold Socket	HB-5638SD
5	Angle Head (Modified)	AM6-HD340-AH	15	End Nut	Customer Supplied			
6	Key	K-14S08	16	Hold Spindle	HS-S16184-38MSD			
7	Hold Spindle Guide	HSG-4848-S	17	Plug	R-14			
8	Snap Ring #2	SH-87	18	Spring #2	#32			
9	Needle Bearing #1	B-148	19	Pin	R-15			
10	Bevel Gear (Modified)	AM6-BG-M	20	O-Ring	#220			