



D & D PRODUCTION INC.®

ASSEMBLY NO. 673847-00

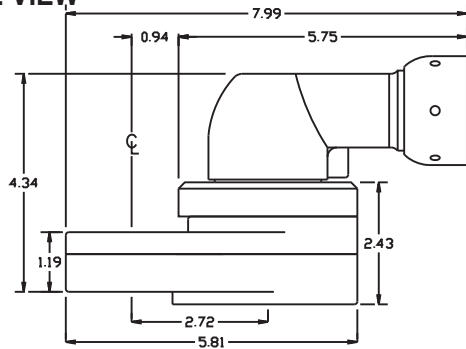
HEAD NO. 8852

TUBENUT ASS'Y
Rev. A
01-27-11

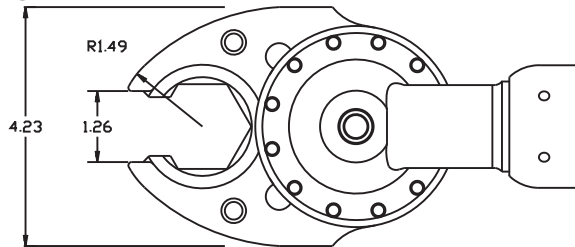
2500 WILLIAMS DRIVE • WATERFORD, MI • 48328

PHONE : (248) 334-2112 • FAX : (248) 334-0062

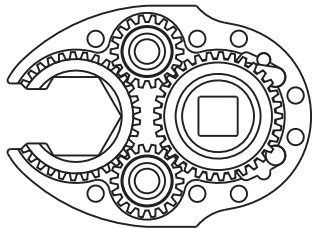
SIDE VIEW



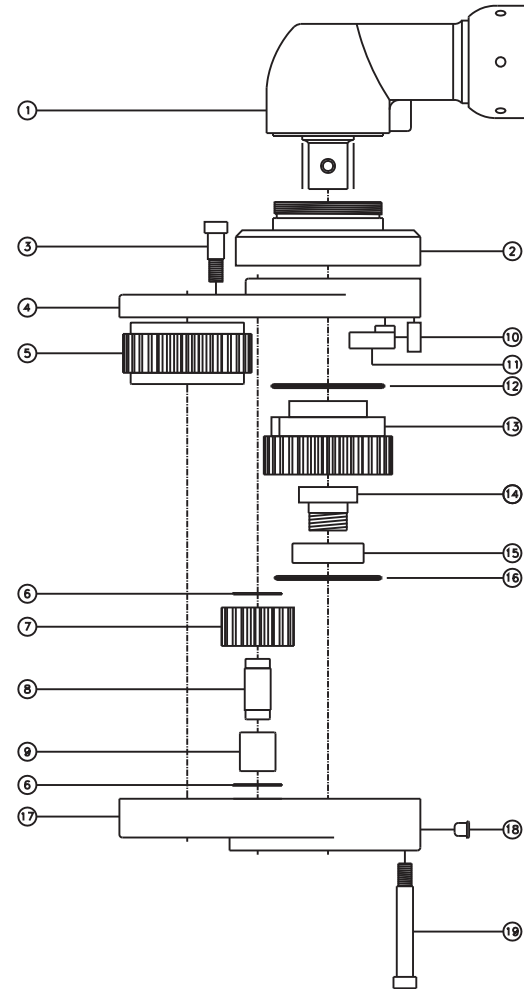
TOP VIEW



GEAR ASSEMBLY



PARTS BLOWOUT



ITEM	DESCRIPTION	PART NO.	ITEM	DESCRIPTION	PART NO.	ITEM	DESCRIPTION	PART NO.
1	Motor	QA8AALD225NF56S12	11	Pawl	1110-PS-P			
2	Angle Head Adapter	HA-5722-QA8225	12	Thrust Bearing	NTA-2435			
3	Shoulder Bolt #1 (2)	SB-508	13	Drive Cam Gear	143353-34SDC			
4	Gear Housing (Top)	673847-00-H	14	Drive Pin	TP-18627			
5	Socket Gear	143338-1-XX	15	Needle Bearing #2	B-186			
6	Thrust Race (4)	TRA-815	16	Thrust Bearing	NTA-2233			
7	Idler Gear (2)	141824	17	Gear Housing (Bottom)	673847-00-P2			
8	Idler Pin (2)	IP-81238B	18	Grease Fitting	1885			
9	Needle Bearing #1 (2)	B-812	19	Shoulder Bolt #2 (6)	SB-528			
10	Pawl Spring	RSS-0818						