

D & D PRODUCTION INC. ®

# ASSEMBLY NO. 543654HD

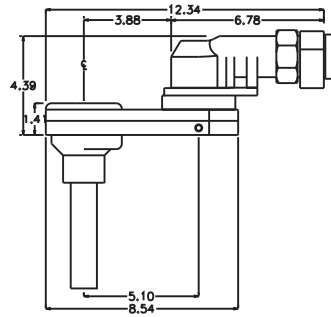
## HEAD NO. 3806

HOLD & DRIVE ASS'Y  
Rev. A  
09-24-07

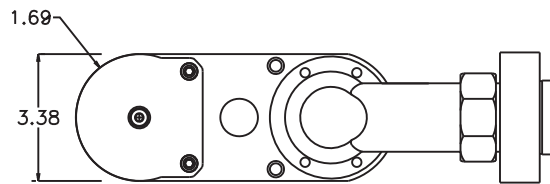
2500 WILLIAMS DRIVE • WATERFORD, MI • 48328

PHONE : (248) 334-2112 • FAX : (248) 334-0062

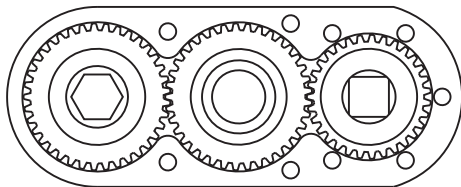
SIDE VIEW



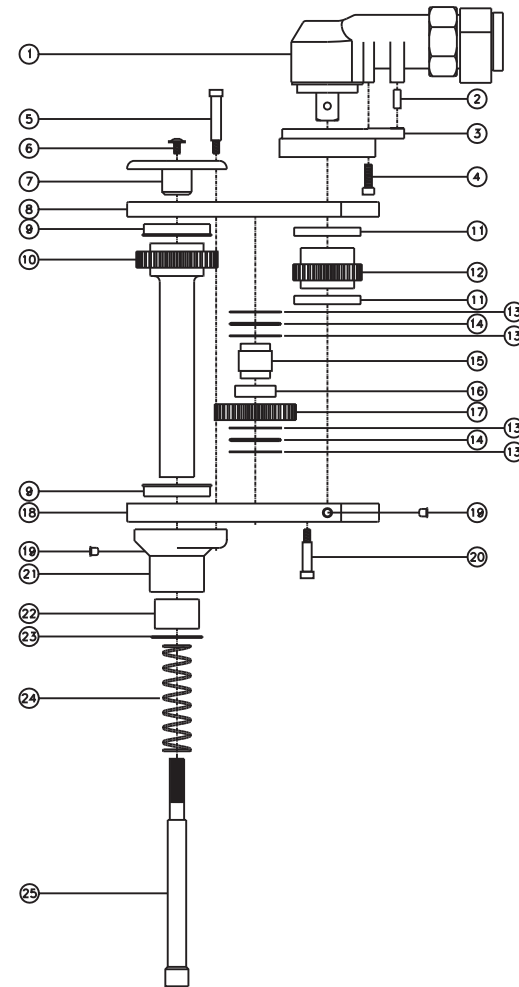
TOP VIEW



GEAR ASSEMBLY



PARTS BLOWOUT



ITEM	DESCRIPTION	PART NO.	ITEM	DESCRIPTION	PART NO.	ITEM	DESCRIPTION	PART NO.
1	Angle Head	Bosch 4W 220	11	Ball Bearing (2)	B-544DD	21	Support Flange	FL-2968
2	Dowel Pin	DP-M6X16	12	Drive Gear	143142-34SD	22	Needle Bearing	B-1916
3	Angle Head Adapter	HA-5220-4W220	13	Thrust Race (4)	TRA-1828	23	Snap Ring	HO-156
4	Screw #1 (4)	S-M6X19SH	14	Thrust Bearing (2)	NTA-1828	24	Spring	C-049H-7
5	Shoulder Bolt #1 (2)	SB-524	15	Idler Pin	IP-18636	25	Hold Spindle	HS-16247-60F
6	Screw #2	S-1406FLB	16	Needle Bearing	B-186			
7	Cap	HC-1669B	17	Idler Gear	143717			
8	Gear Housing (Top)	543654B-H	18	Gear Housing (Bottom)	543654HD-P			
9	Bushing (2)	A-13226	19	Grease Fitting (2)	1885			
10	Socket Gear	143736B-82BH-E109-B	20	Shoulder Bolt #2 (5)	SB-516			