

D & D PRODUCTION INC. ®

ASSEMBLY NO. 543654B

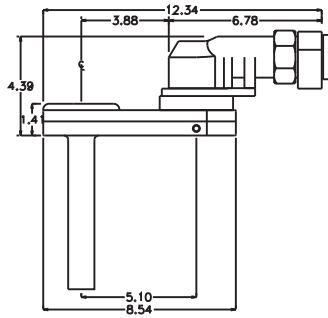
HEAD NO. 3805

HOLD & DRIVE ASS'Y
Rev. A
06-14-07

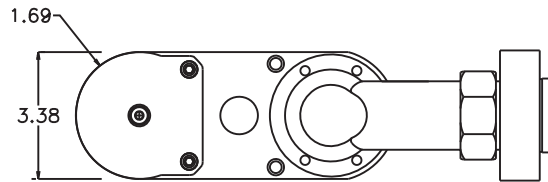
2500 WILLIAMS DRIVE • WATERFORD, MI • 48328

PHONE : (248) 334-2112 • FAX : (248) 334-0062

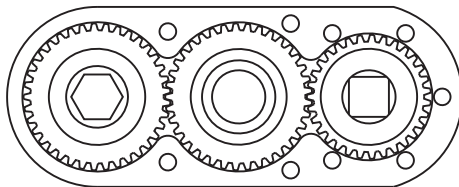
SIDE VIEW



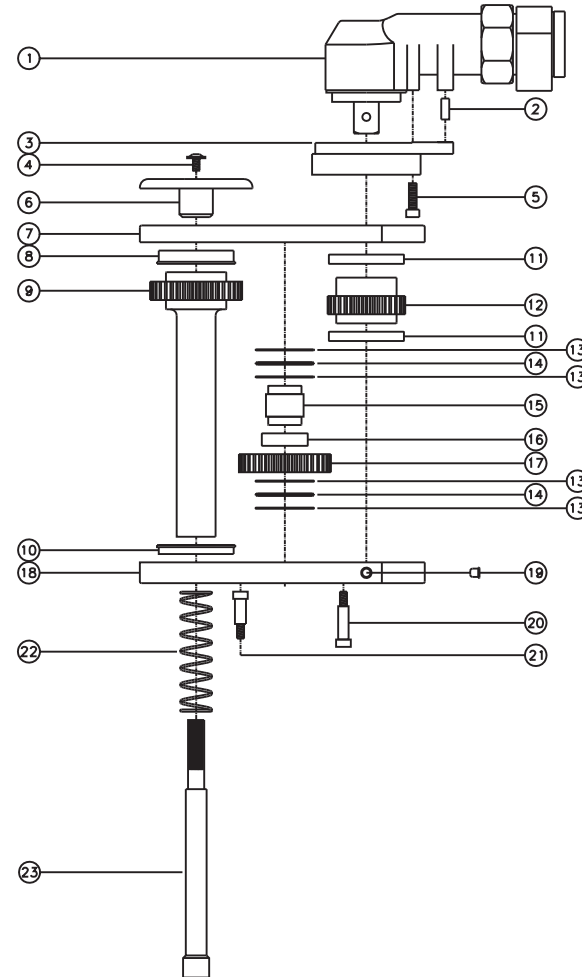
TOP VIEW



GEAR ASSEMBLY



PARTS BLOWOUT



ITEM	DESCRIPTION	PART NO.	ITEM	DESCRIPTION	PART NO.	ITEM	DESCRIPTION	PART NO.
1	Angle Head	Bosch 4W 220	11	Ball Bearing (2)	B-544DD	21	Shoulder Bolt #2 (2)	SB-512
2	Dowel Pin #1	DP-M6X16	12	Drive Gear	143142-34SD	22	Spring	C-049H-7
3	Angle Head Adapter	HA-5220-4W220	13	Thrust Race (4)	TRA-1828	23	Hold Spindle	HS-16247-60F
4	Screw #1	S-1406FLB	14	Thrust Bearing (2)	NTA-1828	24		
5	Screw #2 (4)	S-M6X19SH	15	Idler Pin	IP-18636	25		
6	Cap	HC-1669B	16	Needle Bearing	B-186	26		
7	Gear Housing (Top)	543654B-H	17	Idler Gear	143717	27		
8	Bushing #1	A-13226	18	Gear Housing (Bottom)	543654B-P	28		
9	Socket Gear	143736B-82BH-E109	19	Grease Fitting	1885	29		
10	Bushing #2	A-13217	20	Shoulder Bolt #1 (5)	SB-516	30		