

D & D PRODUCTION INC.®

# ASSEMBLY NO. 442831B-00-84SL-EB17-B

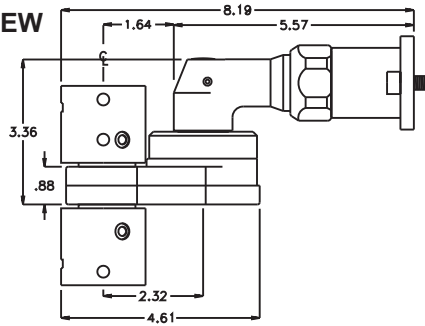
## HEAD NO. 8649B

TUBENUT ASS'Y  
Rev. A  
02-26-09

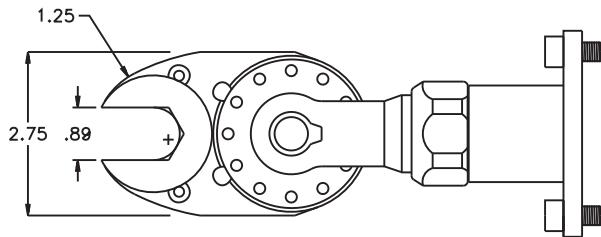
2500 WILLIAMS DRIVE • WATERFORD, MI • 48328

PHONE : (248) 334-2112 • FAX : (248) 334-0062

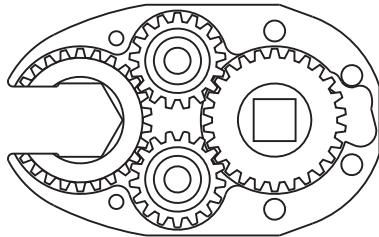
**SIDE VIEW**



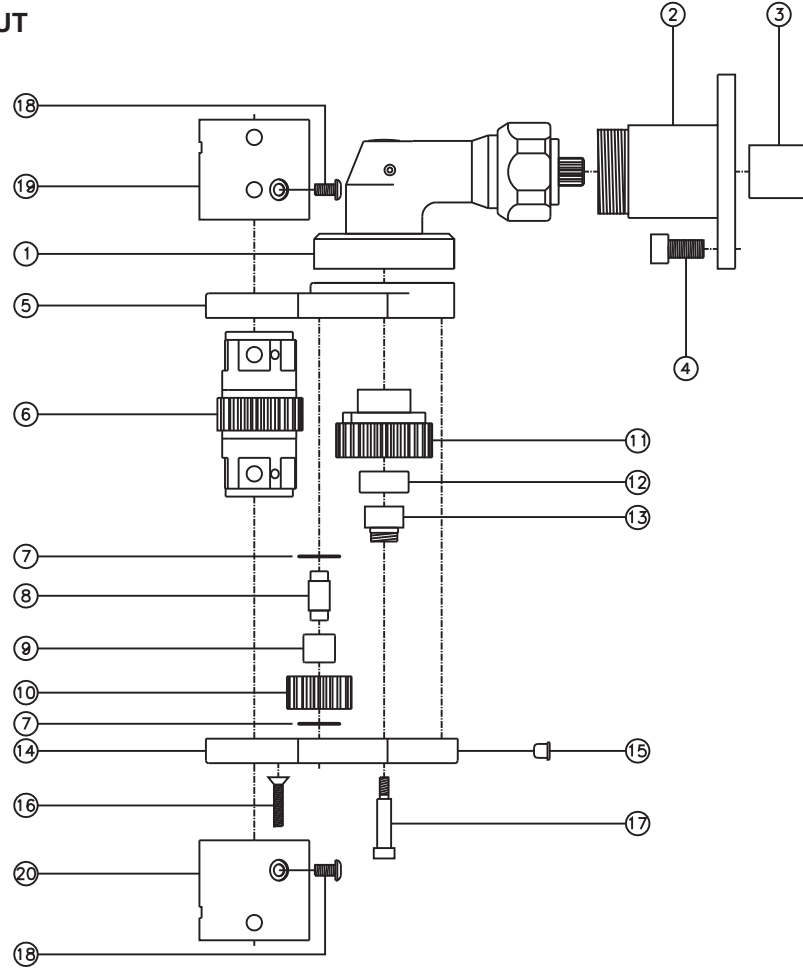
**TOP VIEW**



**GEAR ASSEMBLY**



**PARTS BLOWOUT**



ITEM	DESCRIPTION	PART NO.	ITEM	DESCRIPTION	PART NO.	ITEM	DESCRIPTION	PART NO.
1	Angle Hd./Adapter Assy.	HA-4020-SP2-IR8	11	Drive Gear	162643B-38SD			
2	Motor Coupling	MC-SP2-IR8	12	Needle Bearing	B-116			
3	Drive Shaft	DS-S08F3426	13	Drive Pin	TP-11620			
4	Screw #1 (2)	S-M8X16SH	14	Gear Housing (Bottom)	442431B-00-P			
5	Gear Housing (Top)	442831B-00-H	15	Grease Fitting	1885			
6	Socket Gear, 22mm	162628-1-84SL-EB17-B	16	Screw #2 (2)	S-1014			
7	Thrust Race (4)	TRA-512	17	Shoulder Bolt (4)	SB-414			
8	Idler Pin (2)	IP-6828	18	Screw #3 (4)	S-1006B			
9	Needle Bearing (2)	B-68	19	Upper Drive Socket	I-84F38F-A			
10	Idler Gear (2)	161719	20	Lower Drive Socket	I-84F38F-B			