

D & D PRODUCTION INC.®

ASSEMBLY NO. 383227A-00

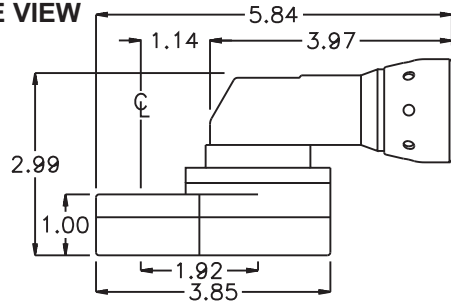
HEAD NO. 8605

TUBE NUT ASS'Y
Rev. A
08-29-07

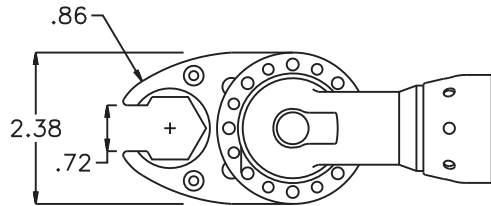
2500 WILLIAMS DRIVE • WATERFORD, MI • 48328

PHONE : (248) 334-2112 • FAX : (248) 334-0062

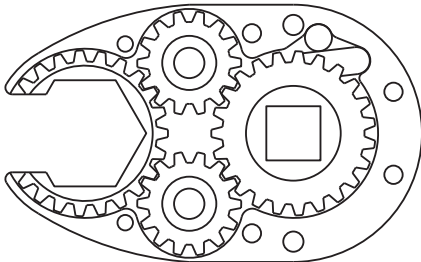
SIDE VIEW



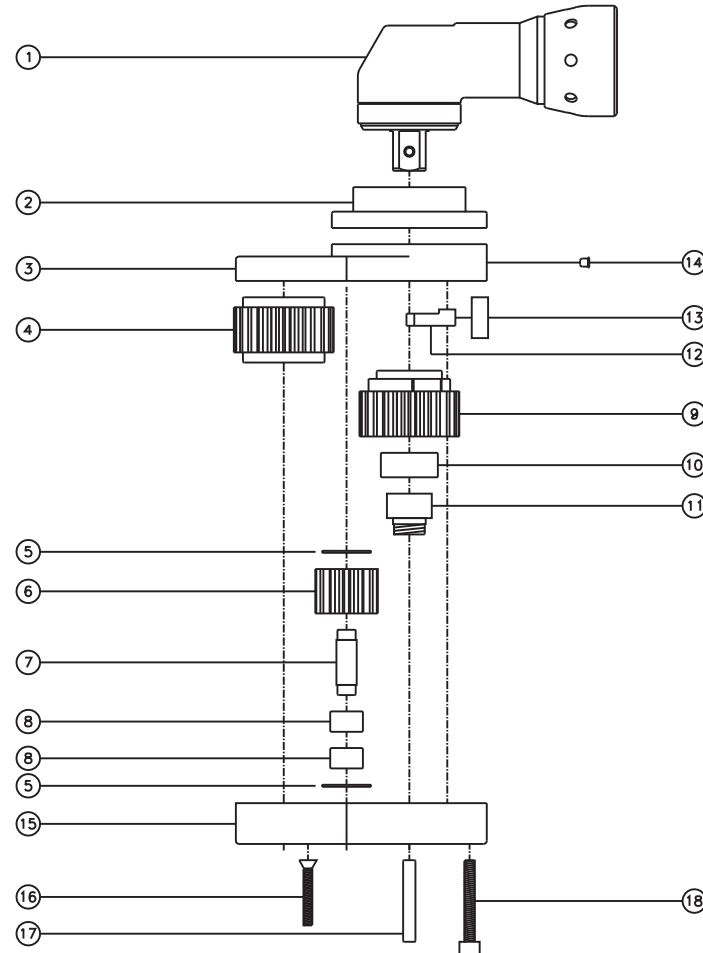
TOP VIEW



GEAR ASSEMBLY



PARTS BLOWOUT



ITEM	DESCRIPTION	PART NO.	ITEM	DESCRIPTION	PART NO.	ITEM	DESCRIPTION	PART NO.
1	Angle Head	ETV DS7-100-13S	11	Drive Pin	TP-11620			
2	Angle Head Adapter	HA-3808-13S	12	Pawl	1006-RPS-P			
3	Gear Housing (Top)	383227A-00-H	13	Pawl Spring	RSS-0820			
4	Socket Gear	162332-1-XX	14	Grease Fitting	1877			
5	Thrust Race (4)	TRA-512	15	Gear Housing (Bottom)	383227A-00-P			
6	Idler Gear (2)	161422	16	Screw #1 (2)	S-816			
7	Idler Pin (2)	IP-5532	17	Dowel Pin (2)	DP-1220			
8	Needle Bearing (4)	B-55	18	Screw #2 (4)	S-1020SH			
9	Drive Cam Gear	162332-SDC						
10	Needle Bearing	B-116						