



D & D PRODUCTION INC.®

ASSEMBLY NO. 382427M-00

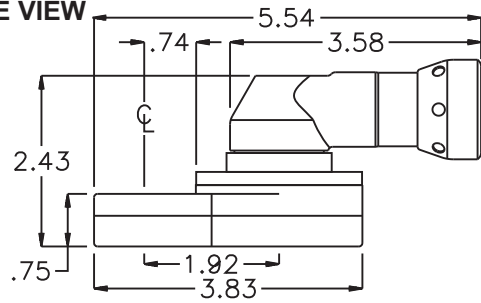
HEAD NO. 8597

TUBE NUT ASS'Y
Rev. A
08-28-07

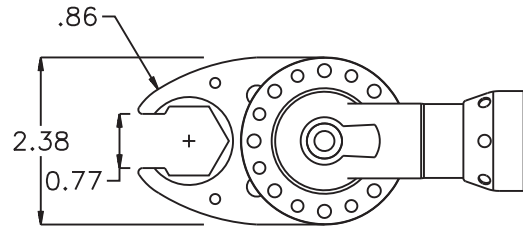
2500 WILLIAMS DRIVE • WATERFORD, MI • 48328

PHONE : (248) 334-2112 • FAX : (248) 334-0062

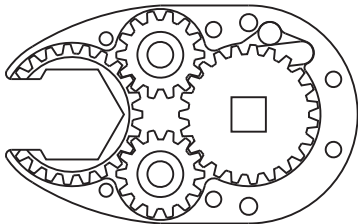
SIDE VIEW



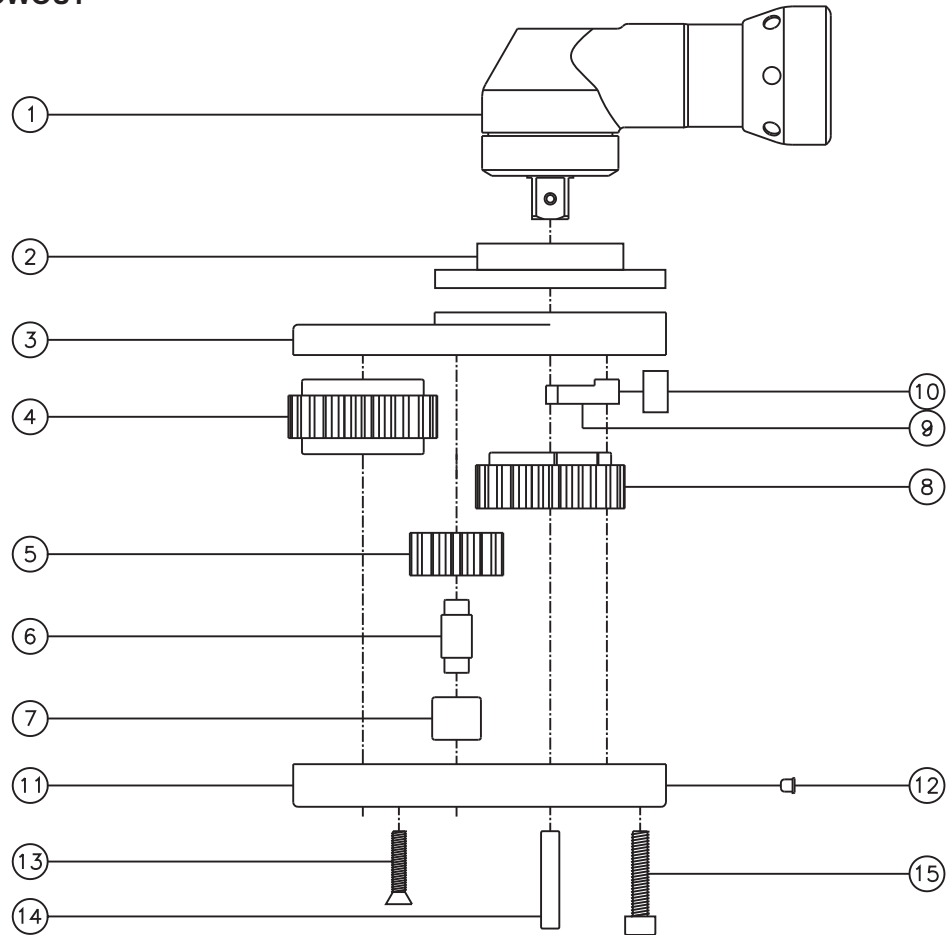
TOP VIEW



GEAR ASSEMBLY



PARTS BLOWOUT



ITEM	DESCRIPTION	PART NO.	ITEM	DESCRIPTION	PART NO.	ITEM	DESCRIPTION	PART NO.
1	Angle Head	A/C 10	11	Gear Housing (Bottom)	382427M-00-P			
2	Angle Head Adapter	HA-8506-10	12	Grease Fitting	1877			
3	Gear Housing (Top)	382427M-00-H	13	Screw #1 (2)	S-812			
4	Socket Gear	162324-1-XX	14	Dowel Pin (2)	DP-1216			
5	Idler Gear (2)	161414	15	Screw #2 (4)	S-1014SH			
6	Idler Pin (2)	IP-5724						
7	Needle Bearing (2)	B-57						
8	Drive Cam Gear	162318-38SDC						
9	Pawl	1004-RPS-P						
10	Pawl Spring	RSS-0810						