

D & D PRODUCTION INC. ®

ASSEMBLY NO. 382427A-00

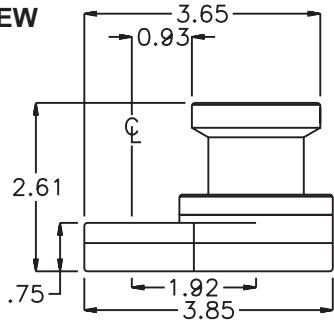
HEAD NO. 8602

TUBE NUT ASS'Y
Rev. A
10-21-06

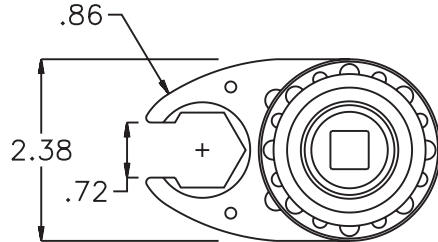
2500 WILLIAMS DRIVE • WATERFORD, MI • 48328

PHONE : (248) 334-2112 • FAX : (248) 334-0062

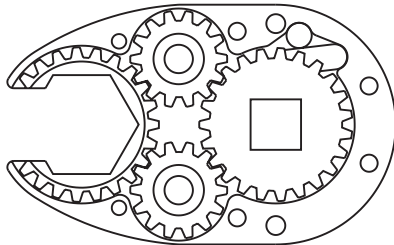
SIDE VIEW



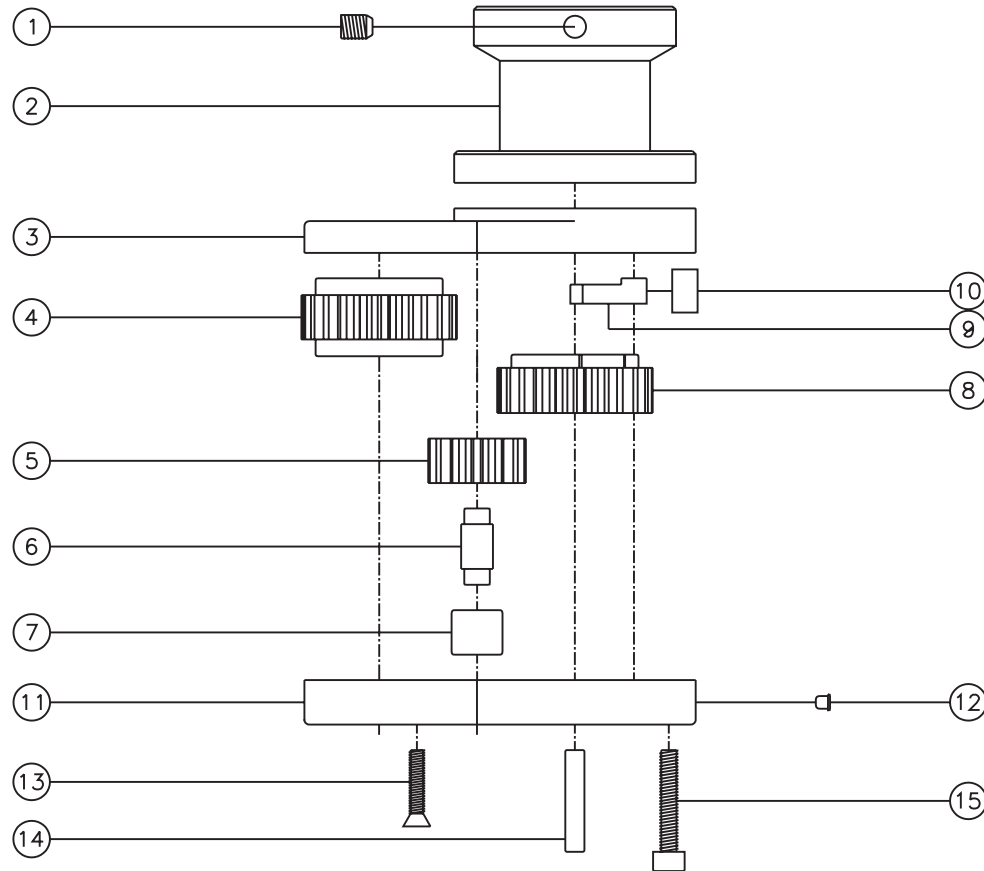
TOP VIEW



GEAR ASSEMBLY



PARTS BLOWOUT



ITEM	DESCRIPTION	PART NO.	ITEM	DESCRIPTION	PART NO.	ITEM	DESCRIPTION	PART NO.
1	Set Screw (2)	SS-1404	11	Gear Housing (Bottom)	382427A-00-P	21		
2	Motor Adapter	HA-3855-D13S	12	Grease Fitting	1877	22		
3	Gear Housing (Top)	382427A-00-H	13	Screw #1 (2)	S-812	23		
4	Socket Gear	162324-1-XX	14	Dowel Pin (2)	DP-1216	24		
5	Idler Gear (2)	161414	15	Screw #2 (4)	S-1016SH	25		
6	Idler Pin (2)	IP-5724	16			26		
7	Needle Bearing (2)	B-57	17			27		
8	Drive Cam Gear	162318-12SDC	18			28		
9	Pawl	1004-RPS-P	19			29		
10	Pawl Spring	RSS-0810	20			30		