



D & D PRODUCTION INC.

ASSEMBLY NO. 382427-1

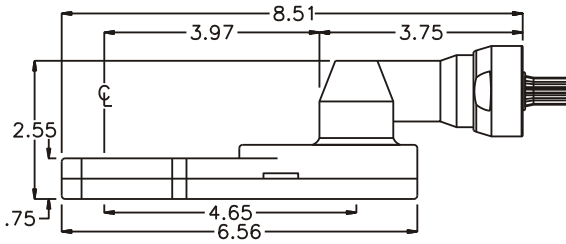
HEAD NO. 8572

CROWFOOT ASS'Y
Rev. C
02-21-01

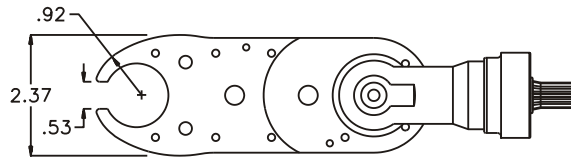
2500 WILLIAMS DRIVE • WATERFORD, MI • 48328

PHONE : (248) 334-2112 • FAX : (248) 334-0062

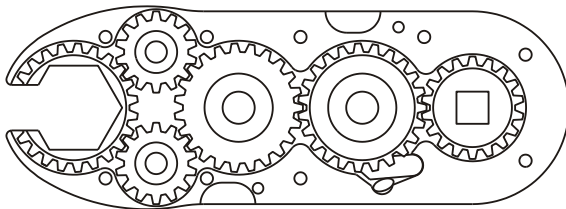
SIDE VIEW



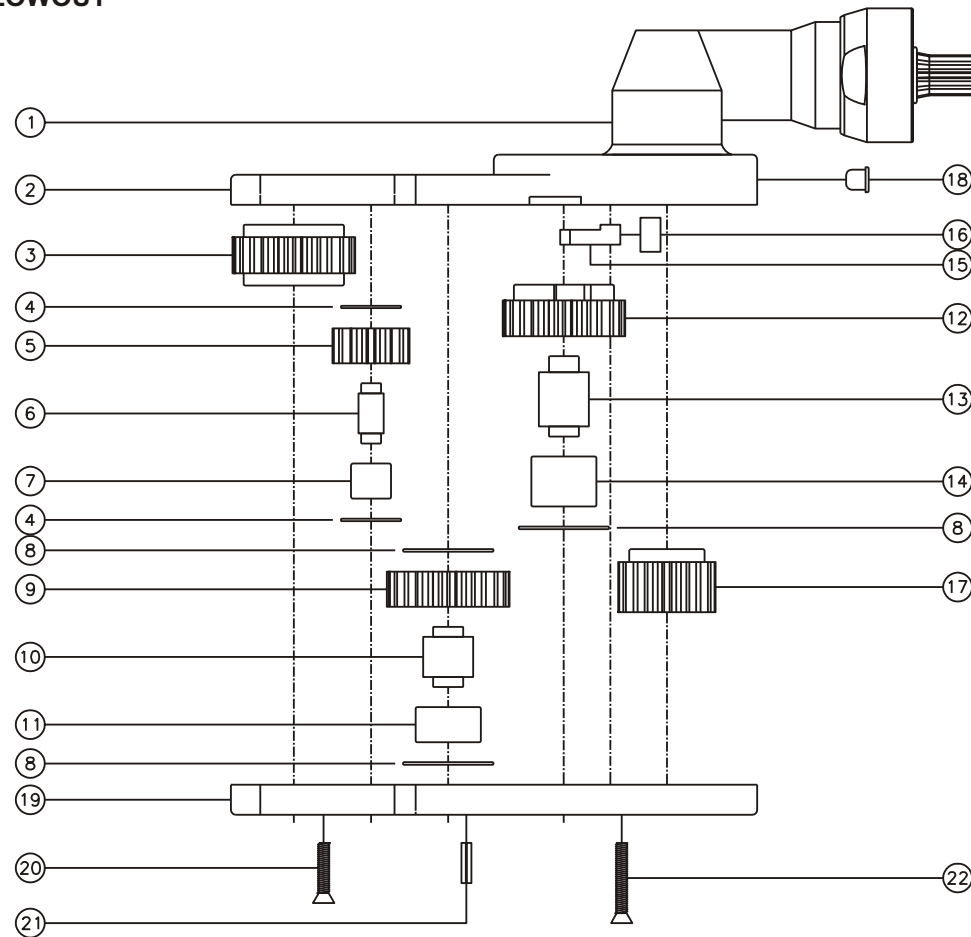
TOP VIEW



GEAR ASSEMBLY



PARTS BLOWOUT



ITEM	DESCRIPTION	PART NO.	ITEM	DESCRIPTION	PART NO.	ITEM	DESCRIPTION	PART NO.
1	Angle Head	32	11	Lg. Needle Bearing	B-107	21	Roll Pin (2)	RP-808
2	Gear Housing (Top)	382427-1-H	12	Cam Gear	162321-C	22	Screw #2 (3)	S-816
3	Socket Gear	162324-1-XX	13	Cam Pin	IP-101032			
4	Sm. Thrust Race (4)	TRA-512	14	Needle Bearing	B-1010			
5	Sm. Idler Gear (2)	161414	15	Pawl	1006-PS-P			
6	Sm. Idler Pin (2)	IP-5724B	16	Pawl Spring	RSS-0814			
7	Sm. Needle Bearing (2)	B-57	17	Drive Gear	161825-SD			
8	Lg. Thrust Race (3)	TRA-1018	18	Grease Fitting	1885			
9	Lg. Idler Gear	162314	19	Gear Housing (Bottom)	382427-1-P			
10	Lg. Idler Pin	IP-10724C	20	Screw #1 (6)	S-812			