



D & D PRODUCTION INC.®

ASSEMBLY NO. 381827FL-00

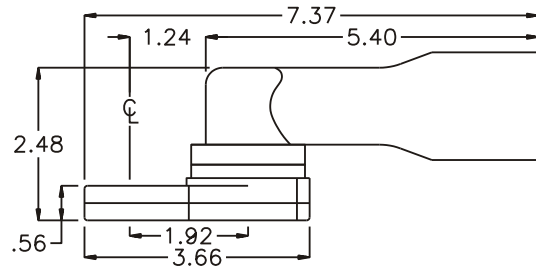
HEAD NO. 8586

CROWFOOT ASS'Y
Rev. A
11-21-02

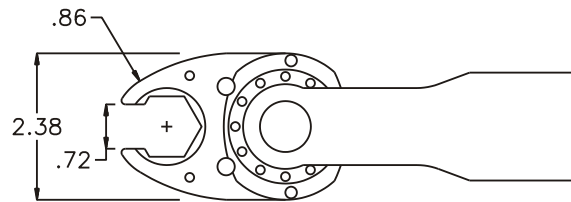
2500 WILLIAMS DRIVE • WATERFORD, MI • 48328

PHONE : (248) 334-2112 • FAX : (248) 334-0062

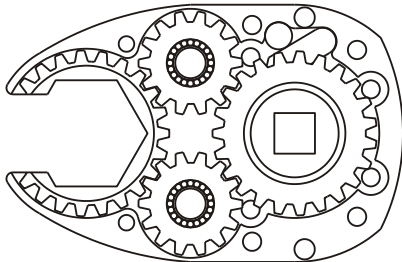
SIDE VIEW



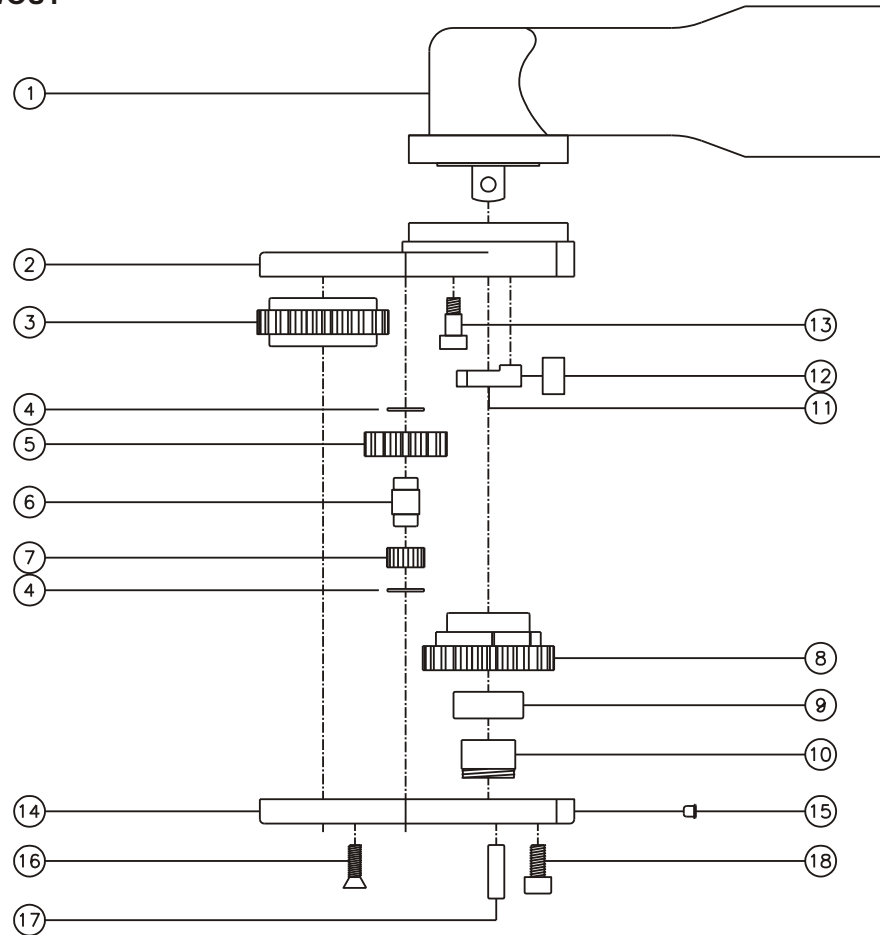
TOP VIEW



GEAR ASSEMBLY



PARTS BLOWOUT



ITEM	DESCRIPTION	PART NO.	ITEM	DESCRIPTION	PART NO.	ITEM	DESCRIPTION	PART NO.
1	Angle Head	GSE 66 (40 Nm)	11	Pawl	1004-RPS-P			
2	Gear Housing (Top)	381827FL-00-H	12	Pawl Spring	RSS-0810			
3	Socket Gear	162318-1-XX	13	Shoulder Bolt (4)	SB-304			
4	Thrust Race (4)	TRA-512M	14	Gear Housing (Bottom)	381827FL-00-P			
5	Idler Gear (2)	161409	15	Grease Fitting	1877			
6	Idler Pin (2)	IP-1018	16	Screw #1 (2)	S-808			
7	Bearing Needles (40)	LR15M58	17	Dowel Pin (2)	DP-1210			
8	Drive Cam Gear	162321B-38SDC	18	Screw #2 (4)	S-1006SH			
9	Needle Bearing	B-105						
10	Drive Pin	TP-10514						