

D & D PRODUCTION INC.®

# ASSEMBLY NO. 381827A-00

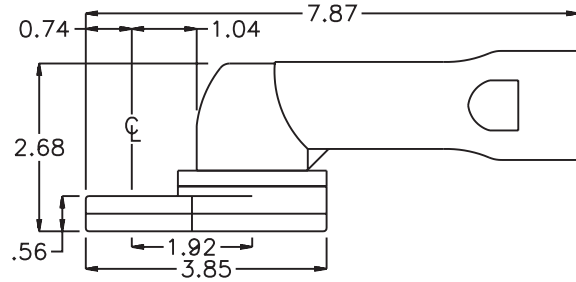
## HEAD NO. 8599

TUBENUT ASS'Y  
Rev. A  
01-08-07

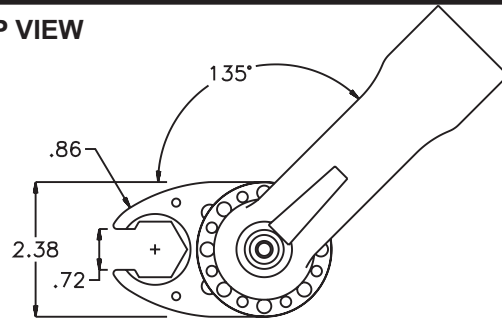
2500 WILLIAMS DRIVE • WATERFORD, MI • 48328

PHONE : (248) 334-2112 • FAX : (248) 334-0062

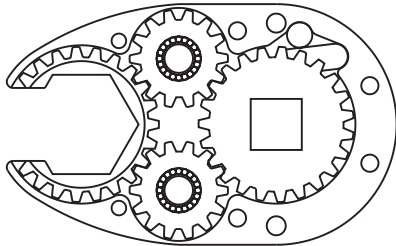
### SIDE VIEW



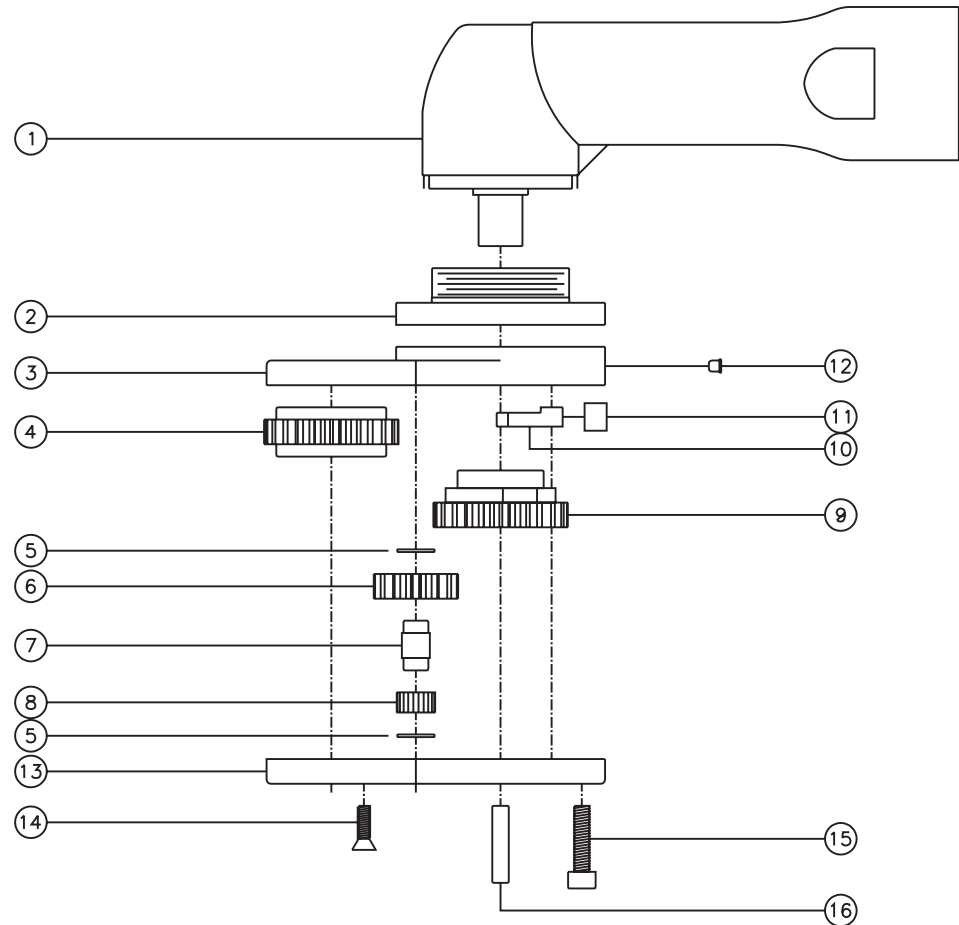
### TOP VIEW



### GEAR ASSEMBLY



### PARTS BLOWOUT



ITEM	DESCRIPTION	PART NO.	ITEM	DESCRIPTION	PART NO.	ITEM	DESCRIPTION	PART NO.
1	Angle Head	Stanley A-4091	11	Pawl Spring	RSS-0810			
2	Angle Head Adapter	HA-3808-A22	12	Grease Fitting	1877			
3	Gear Housing (Top)	381827A-00-H	13	Gear Housing (Bottom)	381827A-00-P			
4	Socket Gear	162318-1-XX	14	Screw #1 (2)	S-808			
5	Thrust Race (4)	TRA-512M	15	Screw #2 (4)	S-1012SH			
6	Idler Gear (2)	161409	16	Dowel Pin (2)	DP-1214			
7	Idler Pin (2)	IP-1018						
8	Bearing Needles (40)	LR15M58						
9	Drive Cam Gear	162321-12SDC						
10	Pawl	1005-RPS-P						