

D & D PRODUCTION INC.®

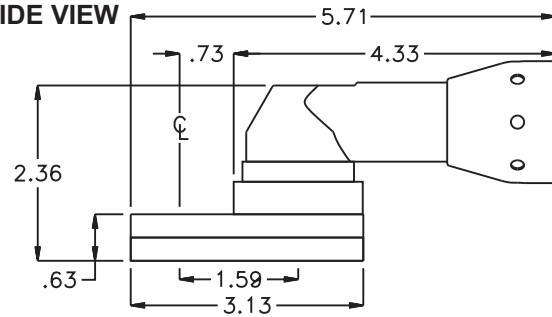
ASSEMBLY NO. 352020H HEAD NO. 1819

CROWFOOT ASS'Y
Rev. A
08-29-07

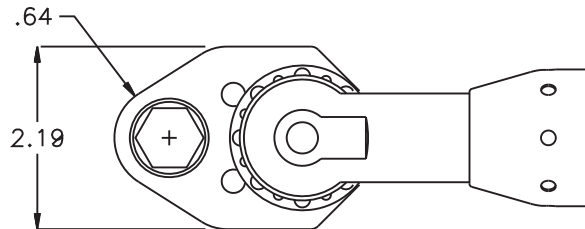
2500 WILLIAMS DRIVE • WATERFORD, MI • 48328

PHONE : (248) 334-2112 • FAX : (248) 334-0062

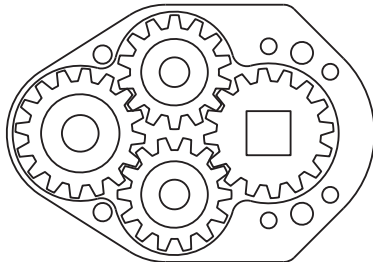
SIDE VIEW



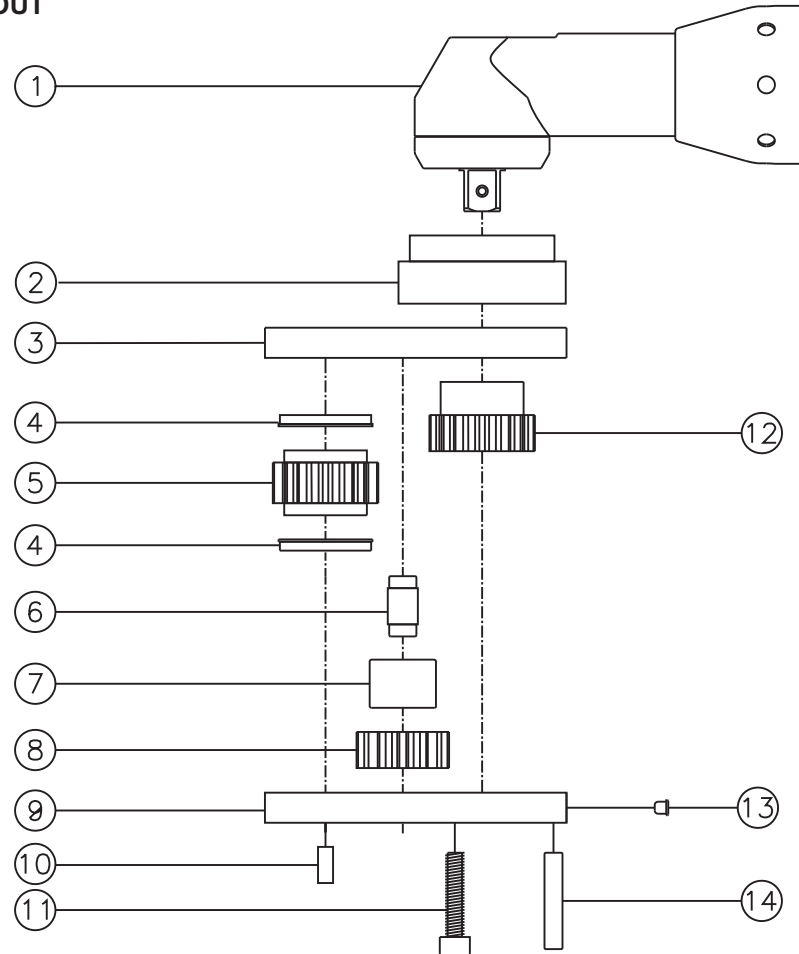
TOP VIEW



GEAR ASSEMBLY



PARTS BLOWOUT



ITEM	DESCRIPTION	PART NO.	ITEM	DESCRIPTION	PART NO.	ITEM	DESCRIPTION	PART NO.
1	Motor	ETV S7-50-10CTADS	11	Screw (4)	S-612SH			
2	Angle Head Adapter	HA-S7A5	12	Drive Gear	161623S3-38SD			
3	Gear Housing (Top)	352020H-H	13	Grease Fitting	1877			
4	Bushing (2)	A-5508	14	Dowel Pin #2 (3)	DP-1212			
5	Socket Gear	161620S4-XX						
6	Idler Pin (2)	IP-5620						
7	Needle Bearing (2)	B-56						
8	Idler Gear (2)	161412						
9	Gear Housing (Bottom)	352020H-P						
10	Dowel Pin #1 (2)	DP-1006						