

D & D PRODUCTION INC.®

ASSEMBLY NO. 322123A-00

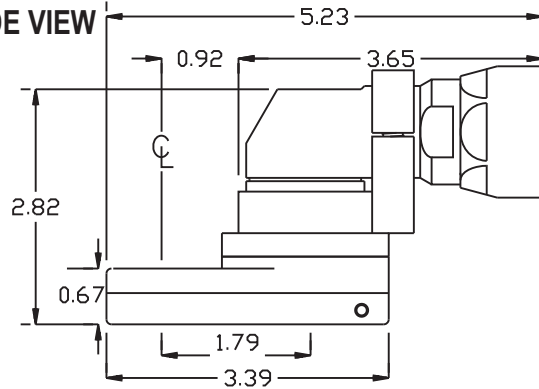
HEAD NO. 8412

TUBENUT ASS'Y
Rev. A
06-18-10

2500 WILLIAMS DRIVE • WATERFORD, MI • 48328

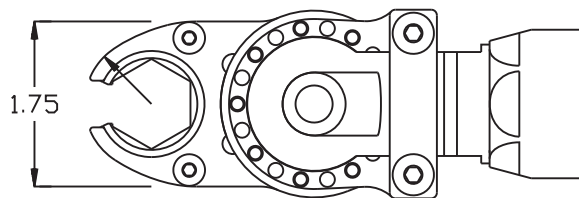
PHONE : (248) 334-2112 • FAX : (248) 334-0062

SIDE VIEW

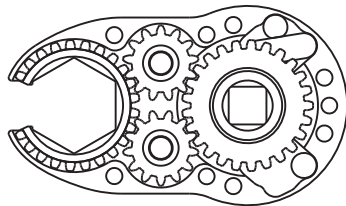


TOP VIEW

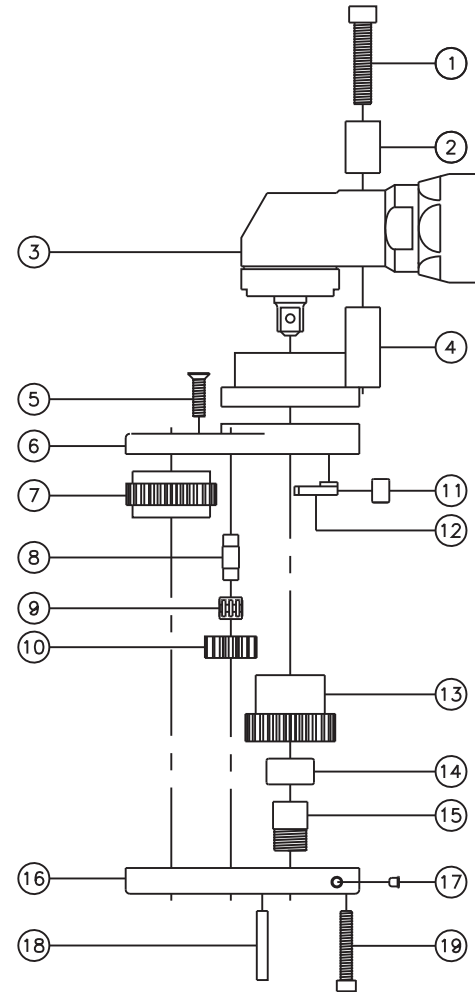
R0.71



GEAR ASSEMBLY



PARTS BLOWOUT



ITEM	DESCRIPTION	PART NO.	ITEM	DESCRIPTION	PART NO.	ITEM	DESCRIPTION	PART NO.
1	Screw #1 (2)	S-M6X30SH	11	Pawl Spring	RSS-0811			
2	Yoke	FA-3230C-A040	12	Pawl	1004-PS-P			
3	Angle Head	Fusion 40Nm	13	Drive Cam Gear	202531-38SDC			
4	Adapter	FA-3230B-A040	14	Needle Bearing	B-86			
5	Screw #2 (2)	S-M4X16	15	Drive Cam Pin	TP-8623			
6	Gear Housing (Top)	322123A-00-H	16	Gear Housing (Bottom)	322123A-00-P			
7	Socket Gear	202521B-1-XX	17	Grease Fitting	1877			
8	Idler Pin (2)	IP-6M21B	18	Dowel Pin (3)	DP-M4X25			
9	Needle Bearing (2)	K698M	19	Screw #3 (4)	S-M4X25SH			
10	Idler Gear (2)	201312B						