



D & D PRODUCTION INC.®

ASSEMBLY NO. 301813H-3

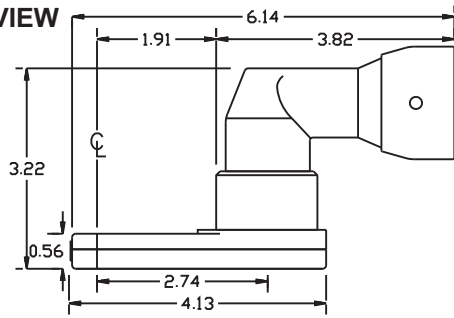
HEAD NO. 1529B

CROWFOOT ASS'Y
Rev. A
02-25-10

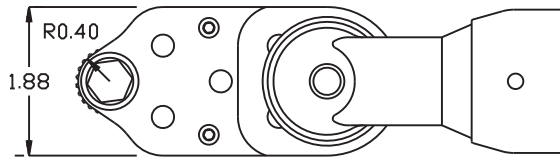
2500 WILLIAMS DRIVE • WATERFORD, MI • 48328

PHONE : (248) 334-2112 • FAX : (248) 334-0062

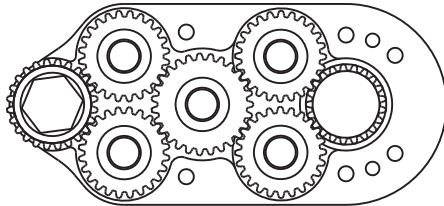
SIDE VIEW



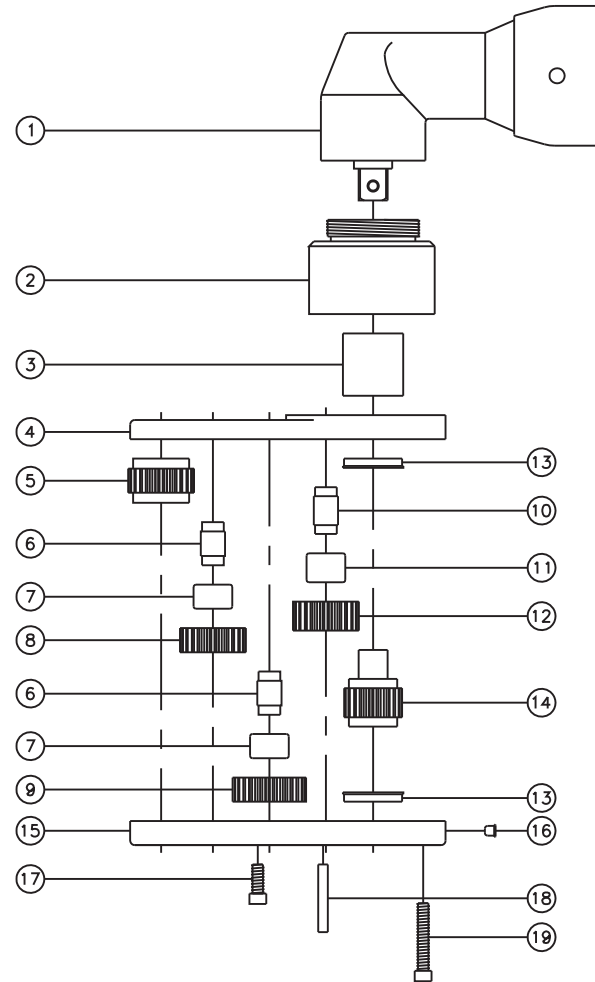
TOP VIEW



GEAR ASSEMBLY



PARTS BLOWOUT



| ITEM | DESCRIPTION | PART NO. | ITEM | DESCRIPTION | PART NO. | ITEM | DESCRIPTION | PART NO. |
|------|-----------------------|----------------|------|-----------------------|--------------|------|-------------|----------|
| 1 | Motor | QE6AT030PA4S06 | 11 | Needle Bearing #2 (2) | B-56 | | | |
| 2 | Angle Head Adapter | HA-2630-A4 | 12 | Idler Gear #3 (2) | 302412 | | | |
| 3 | Drive Shaft | DS-062526 | 13 | Bushing (2) | A-4008 | | | |
| 4 | Gear Housing (Top) | 301813H-3-H | 14 | Drive Gear | 302132-38MSD | | | |
| 5 | Socket Gear | 302418-XX | 15 | Gear Housing (Bottom) | 301813H-3-P | | | |
| 6 | Idler Pin #1 (3) | IP-5518 | 16 | Grease Fitting | 1877 | | | |
| 7 | Needle Bearing #1 (3) | B-55 | 17 | Screw #1 (2) | S-606SH | | | |
| 8 | Idler Gear #1 (2) | 302410 | 18 | Dowel Pin (2) | DP-814 | | | |
| 9 | Idler Gear #2 | 302710 | 19 | Screw #2 (4) | S-614SH | | | |
| 10 | Idler Pin #2 (2) | IP-5520 | | | | | | |