



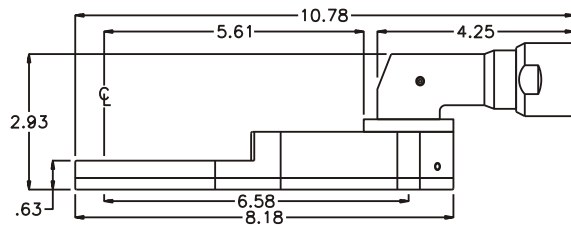
D & D PRODUCTION INC.®

ASSEMBLY NO. 272020-5S HEAD NO. 5400

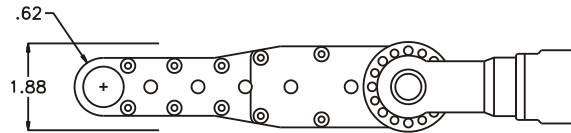
CROWFOOT ASS'Y
Rev. A
02-26-03

2500 WILLIAMS DRIVE • WATERFORD, MI • 48328 PHONE : (248) 334-2112 • FAX : (248) 334-0062

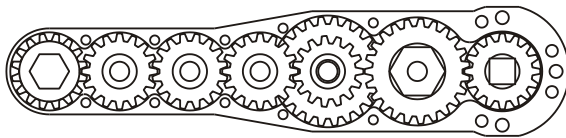
SIDE VIEW



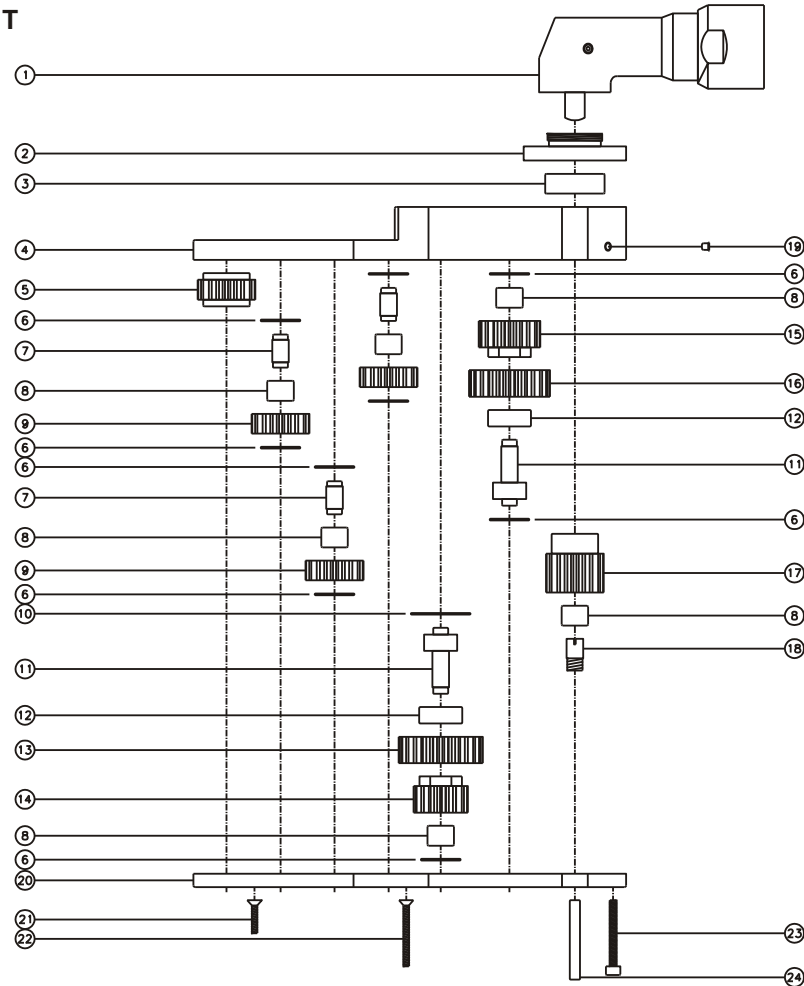
TOP VIEW



GEAR ASSEMBLY



PARTS BLOWOUT



| ITEM | DESCRIPTION | PART NO. | ITEM | DESCRIPTION | PART NO. | ITEM | DESCRIPTION | PART NO. |
|------|--------------------|-------------|------|--------------------|-------------|------|---------------|----------|
| 1 | Angle Head | IR 3S6 | 11 | Idler Pin #2 (2) | IP-5610540 | 21 | Screw #1 (6) | S-610 |
| 2 | Angle Head Adapter | HA-3210 | 12 | Needle Bearing (2) | B-105 | 22 | Screw #2 (4) | S-620 |
| 3 | Needle Bearing | B-146 | 13 | Idler Gear #2A | 162416 | 23 | Screw #3(4) | S-820SH |
| 4 | Gear Housing | 272020-5S-H | 14 | Idler Gear #2B | 161522 | 24 | Dowel Pin (3) | DP-1224 |
| 5 | Socket Gear | 161620S-XX | 15 | Idler Gear #3A | 161722 | | | |
| 6 | Thrust Race (9) | TRA-512 | 16 | Idler Gear #3B | 162316 | | | |
| 7 | Idler Pin #1 (3) | IP-5620B | 17 | Drive Gear | 161636-38SD | | | |
| 8 | Needle Bearing (6) | B-56 | 18 | Drive Pin | TP-5619A | | | |
| 9 | Idler Gear #1 (3) | 161612S | 19 | Grease Fitting | 1877 | | | |
| 10 | Thrust Race | TRA-1012 | 20 | Bottom Plate | 272020-5S-P | | | |