



D & D PRODUCTION INC.®

# ASSEMBLY NO. 262220K-0

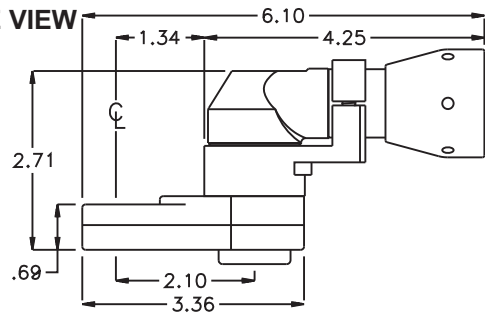
## HEAD NO. 8306B

TUBENUT ASS'Y  
Rev.A  
07-06-10

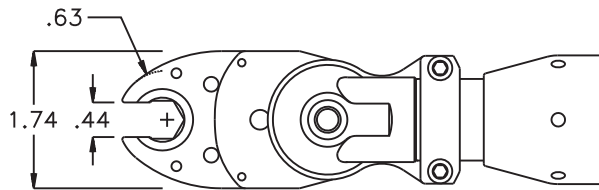
2500 WILLIAMS DRIVE • WATERFORD, MI • 48328

PHONE : (248) 334-2112 • FAX : (248) 334-0062

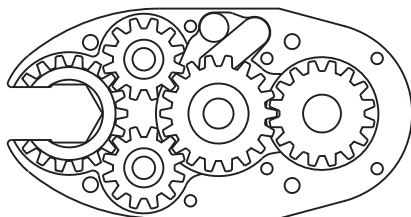
SIDE VIEW



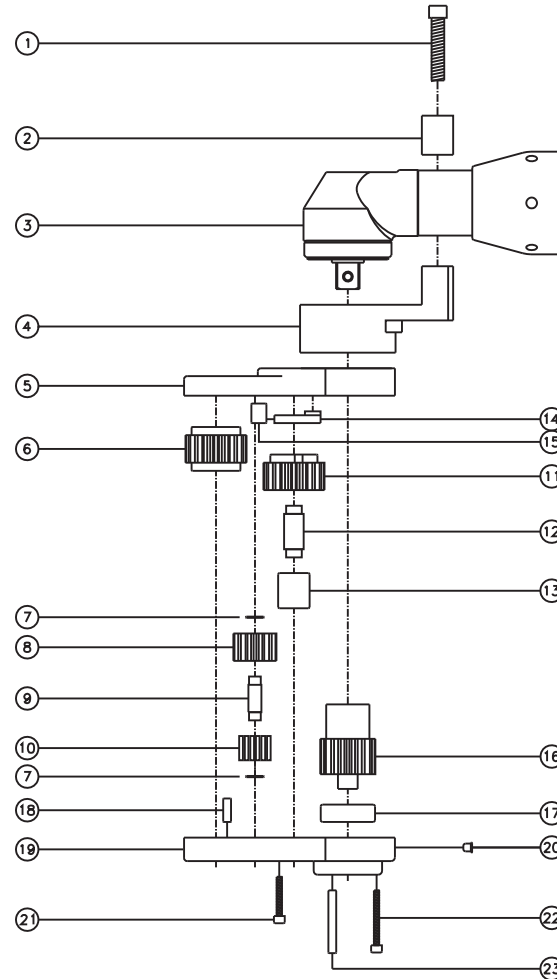
TOP VIEW



GEAR ASSEMBLY



PARTS BLOWOUT



ITEM	DESCRIPTION	PART NO.	ITEM	DESCRIPTION	PART NO.	ITEM	DESCRIPTION	PART NO.
1	Screw #1 (2)	S-1016SHC	11	Cam Gear	201818B-CR	21	Screw #2 (2)	S-410SH
2	Yoke	FA-2423C-S72-10	12	Cam Pin	IP-5926	22	Screw #3 (4)	S-414SH
3	Motor	ETV DS72-50-10	13	Needle Bearing	B-59	23	Dowel Pin #2 (2)	DP-816
4	Adapter	FA-2423B-S72-10	14	Pawl	1004-RPS-P			
5	Gear Housing (Top)	262220A-0-H	15	Pawl Spring	RSS-0810			
6	Socket Gear	201822B-1-XX	16	Drive Gear	201643B-38SD			
7	Thrust Race (4)	W-991-020	17	Ball Bearing	38KD			
8	Idler Gear (2)	201214C	18	Dowel Pin #1 (2)	DP-806			
9	Idler Pin (2)	IP-0722	19	Gear Housing (Bottom)	262220A-0-P2			
10	Bearing Needles (28)	LR15M98	20	Grease Fitting	1877			