

D & D PRODUCTION INC.®

# ASSEMBLY NO. 262220A-0

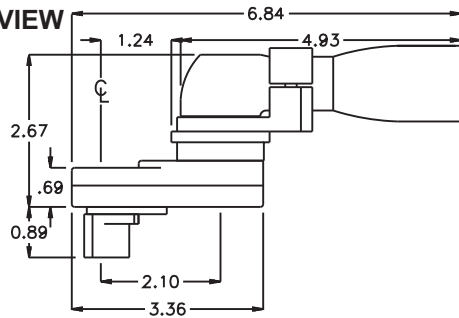
## HEAD NO. 8317HD

TUBENUT ASS'Y  
Rev.A  
08-25-10

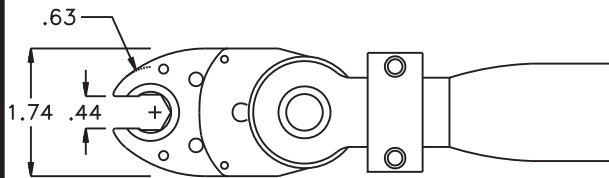
2500 WILLIAMS DRIVE • WATERFORD, MI • 48328

PHONE : (248) 334-2112 • FAX : (248) 334-0062

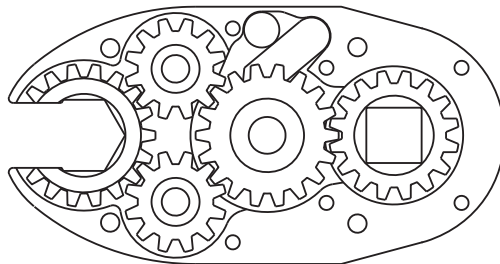
SIDE VIEW



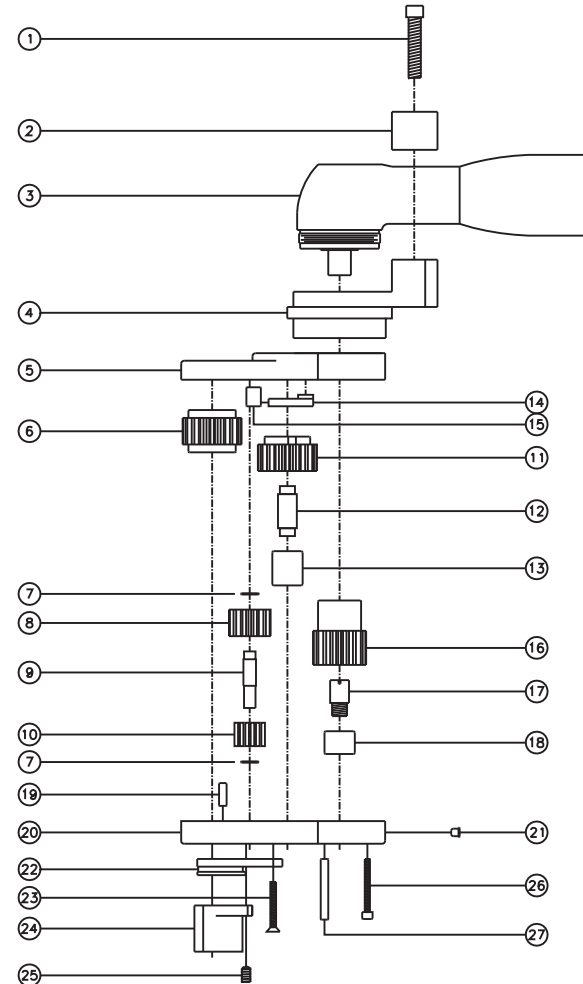
TOP VIEW



GEAR ASSEMBLY



PARTS BLOWOUT



ITEM	DESCRIPTION	PART NO.	ITEM	DESCRIPTION	PART NO.	ITEM	DESCRIPTION	PART NO.
1	Screw #1 (2)	S-1016SHC	11	Cam Gear	201818-CR	21	Grease Fitting	1877
2	Yoke	FA-2423-ST61-10C	12	Cam Pin	IP-5926	22	Hold Socket Guide	HD70-A1
3	Motor	ETV ST61-50-10	13	Needle Bearing	B-59	23	Screw #2 (2)	S-412
4	Adapter	FA-2423-ST61-10B	14	Pawl	1004-RPS-P	24	Hold Socket, 13mm	HD66-A2
5	Gear Housing (Top)	262220A-0-H	15	Pawl Spring	RSS-0810	25	Set Screw	SS-604
6	Socket Gear, 13mm	201822-1-66SDBH	16	Drive Gear	201634F-38SD	26	Screw #3 (4)	S-414SH
7	Thrust Race (4)	W-991-020	17	Drive Pin	TP-5619LH	27	Dowel Pin #2 (2)	DP-816
8	Idler Gear (2)	201214	18	Needle Bearing	B-56			
9	Idler Pin (2)	IP-0722-HD2	19	Dowel Pin #1 (2)	DP-806			
10	Bearing Needles (28)	LR15M98	20	Gear Housing (Bottom)	262220A-0-P			