



D & D PRODUCTION INC.®

# ASSEMBLY NO. 26220A-0

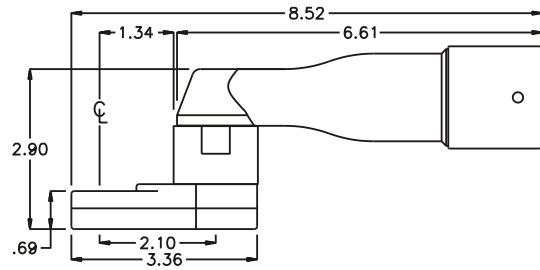
## HEAD NO. 8308

CROWFOOT ASS'Y  
Rev. C  
09-26-02

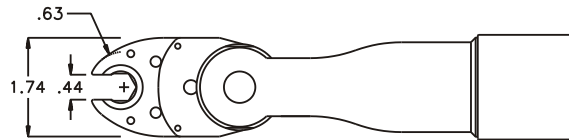
2500 WILLIAMS DRIVE • WATERFORD, MI • 48328

PHONE : (248) 334-2112 • FAX : (248) 334-0062

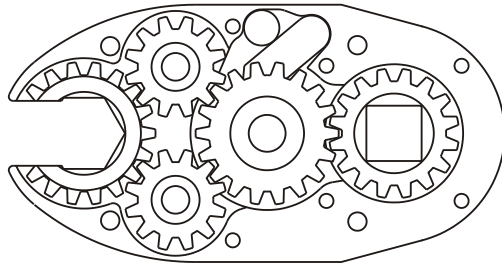
### SIDE VIEW



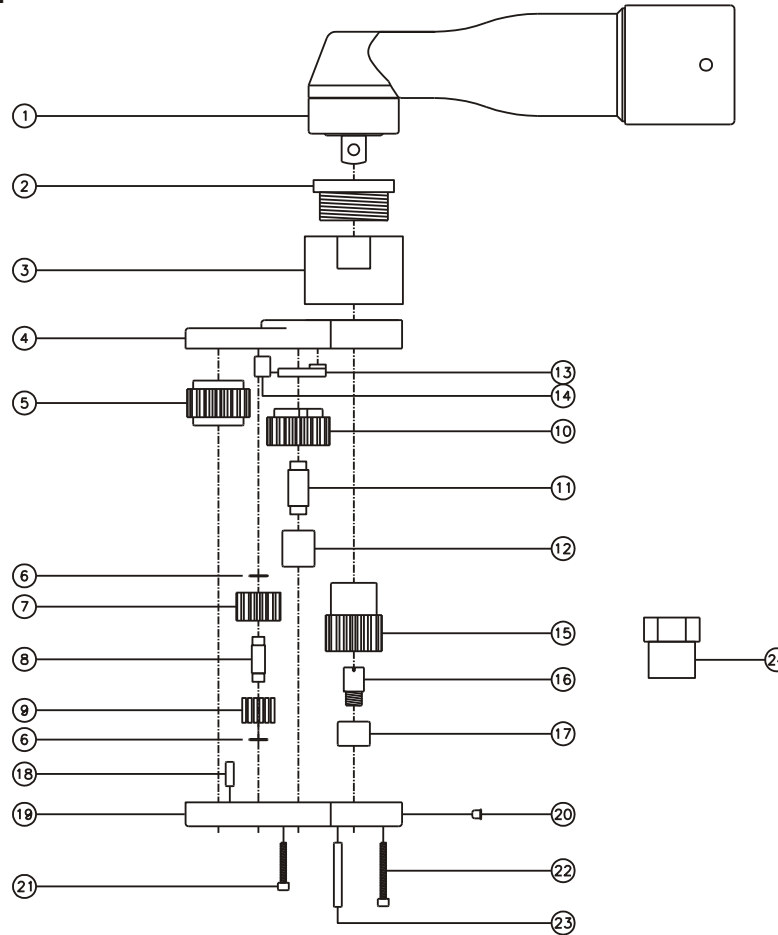
### TOP VIEW



### GEAR ASSEMBLY



### PARTS BLOWOUT



ITEM	DESCRIPTION	PART NO.	ITEM	DESCRIPTION	PART NO.	ITEM	DESCRIPTION	PART NO.
1	Angle Head	GSE 66A50	11	Cam Pin	IP-5926	21	Screw #1 (2)	S-410SH
2	Adapter Nut	N-2433-66A50	12	Needle Bearing	B-59	22	Screw #2 (4)	S-414SH
3	Angle Head Adapter	HAF-2433-66A50	13	Pawl	1004-RPS-P	23	Dowel Pin #2 (2)	DP-816
4	Gear Housing (Top)	262220A-0-H	14	Pawl Spring	RSS-0810	24	Adapter Nut Socket (Optional)	ENT-24M38SD
5	Socket Gear	201822-1-XX	15	Drive Gear	201634F-38SD			
6	Thrust Race (4)	W-991-020	16	Drive Pin	TP-5619LH			
7	Idler Gear (2)	201214	17	Needle Bearing	B-56			
8	Idler Pin (2)	IP-0722	18	Dowel Pin #1 (2)	DP-806			
9	Bearing Needles (28)	LR15M98	19	Gear Housing (Bottom)	262220A-0-P			
10	Cam Gear	201818-CR	20	Grease Fitting	1877			