



D & D PRODUCTION INC.®

ASSEMBLY NO. 262220A-0

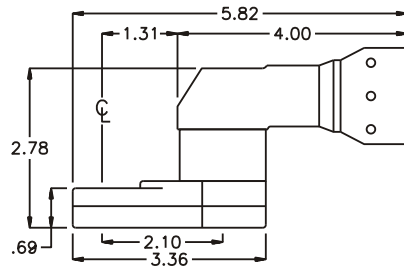
HEAD NO. 8306A

CROWFOOT ASS'Y
Rev. B
09-26-02

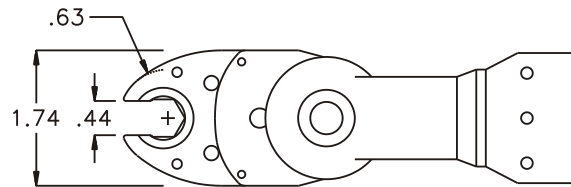
2500 WILLIAMS DRIVE • WATERFORD, MI • 48328

PHONE : (248) 334-2112 • FAX : (248) 334-0062

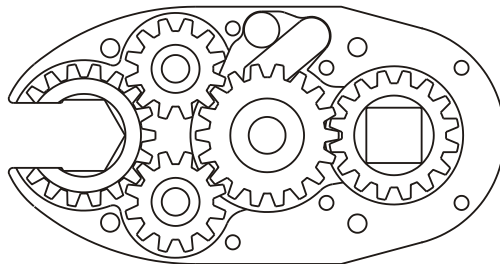
SIDE VIEW



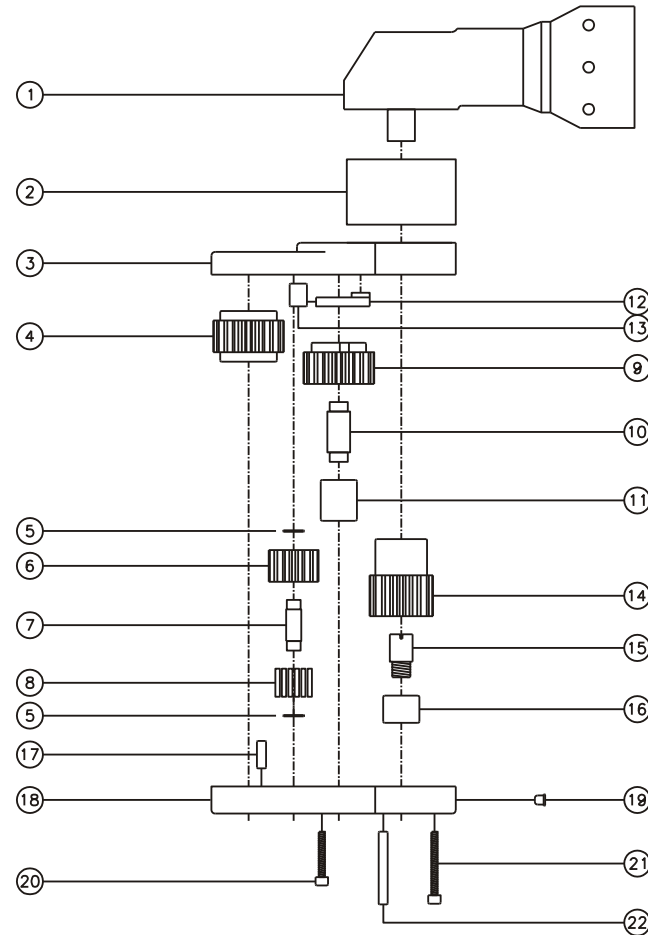
TOP VIEW



GEAR ASSEMBLY



PARTS BLOWOUT



ITEM	DESCRIPTION	PART NO.	ITEM	DESCRIPTION	PART NO.	ITEM	DESCRIPTION	PART NO.
1	Angle Head	S7	11	Needle Bearing	B-59	21	Screw #2 (4)	S-414SH
2	Angle Head Adapter	HA 3530	12	Pawl	1004-RPS-P	22	Dowel Pin #2 (2)	DP-816
3	Gear Housing (Top)	262220A-0-H	13	Pawl Spring	RSS-0810			
4	Socket Gear	201822-1-XX	14	Drive Gear	201634F-38SD			
5	Thrust Race (4)	W-991-020	15	Drive Pin	TP-5619LH			
6	Idler Gear (2)	201214	16	Needle Bearing	B-56			
7	Idler Pin (2)	IP-0722	17	Dowel Pin #1 (2)	DP-806			
8	Bearing Needles (28)	LR15M98	18	Gear Housing (Bottom)	262220A-0-P			
9	Cam Gear	201818-CR	19	Grease Fitting	1877			
10	Cam Pin	IP-5926	20	Screw #1 (2)	S-410SH			