

D & D PRODUCTION INC.®

# ASSEMBLY NO. 262220A-0

## HEAD NO. 8305

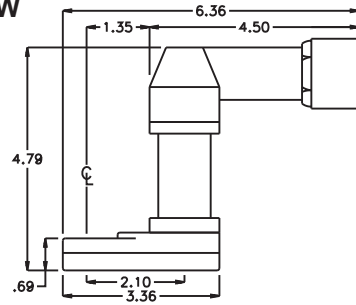
CROWFOOT ASS'Y  
Rev.A  
04-08-08

2500 WILLIAMS DRIVE • WATERFORD, MI • 48328

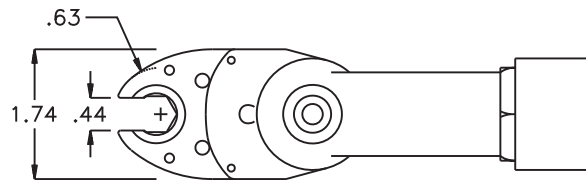
PHONE : (248) 334-2112

FAX : (248) 334-0062

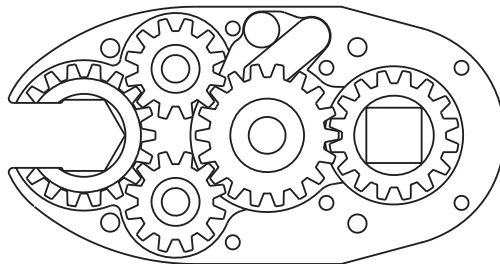
### SIDE VIEW



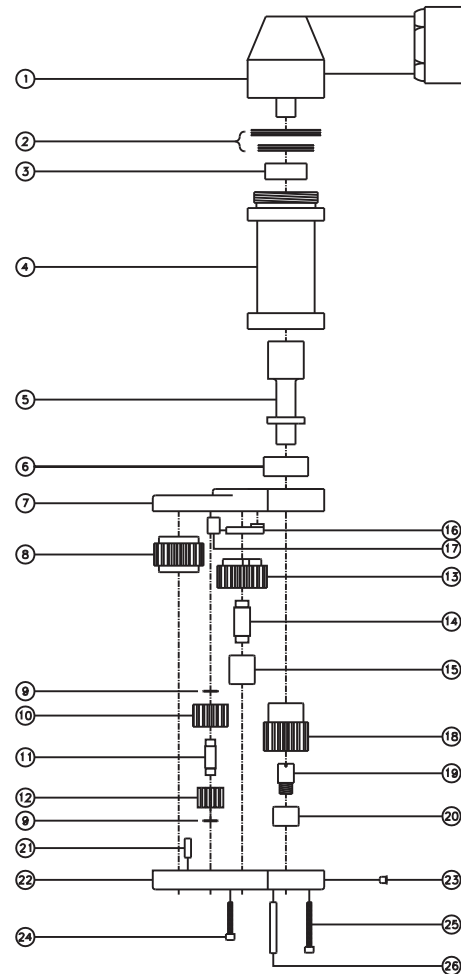
### TOP VIEW



### GEAR ASSEMBLY



### PARTS BLOWOUT



| ITEM | DESCRIPTION        | PART NO.                | ITEM | DESCRIPTION          | PART NO.     | ITEM | DESCRIPTION           | PART NO.    |
|------|--------------------|-------------------------|------|----------------------|--------------|------|-----------------------|-------------|
| 1    | Angle Head         | AM3 (Customer Supplied) | 11   | Idler Pin (2)        | IP-0722      | 21   | Dowel Pin #1 (2)      | DP-806      |
| 2    | Shim Set           | W-AM3                   | 12   | Bearing Needles (28) | LR15M98      | 22   | Gear Housing (Bottom) | 262220A-0-P |
| 3    | Needle Bearing     | B-105                   | 13   | Cam Gear             | 201818-CR    | 23   | Grease Fitting        | 1877        |
| 4    | Adapter            | HA-2438-AM3             | 14   | Cam Pin              | IP-5926      | 24   | Screw #1 (2)          | S-410SH     |
| 5    | Drive Shaft        | DS-06F06M2365           | 15   | Needle Bearing       | B-59         | 25   | Screw #2 (4)          | S-414SH     |
| 6    | Needle Bearing     | B-116                   | 16   | Pawl                 | 1004-RPS-P   | 26   | Dowel Pin #2 (2)      | DP-816      |
| 7    | Gear Housing (Top) | 262220A-0-H             | 17   | Pawl Spring          | RSS-0810     |      |                       |             |
| 8    | Socket Gear        | 201822-1-XX             | 18   | Drive Gear           | 201634N-38SD |      |                       |             |
| 9    | Thrust Race (4)    | W-991-020               | 19   | Drive Pin            | TP-5619LH    |      |                       |             |
| 10   | Idler Gear (2)     | 201214                  | 20   | Needle Bearing       | B-56         |      |                       |             |