



D & D PRODUCTION INC.®

ASSEMBLY NO. 262220-1

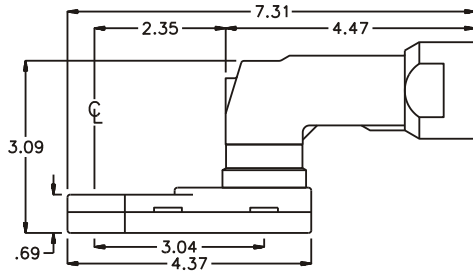
HEAD NO. 8304

CROWFOOT ASS'Y
Rev. B
09-26-02

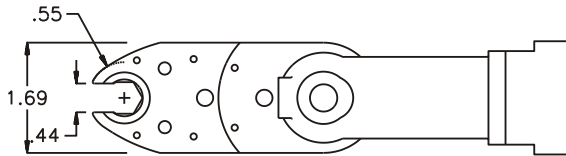
2500 WILLIAMS DRIVE • WATERFORD, MI • 48328

PHONE : (248) 334-2112 • FAX : (248) 334-0062

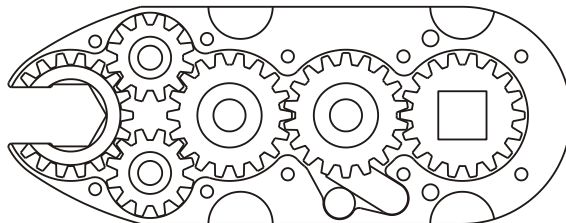
SIDE VIEW



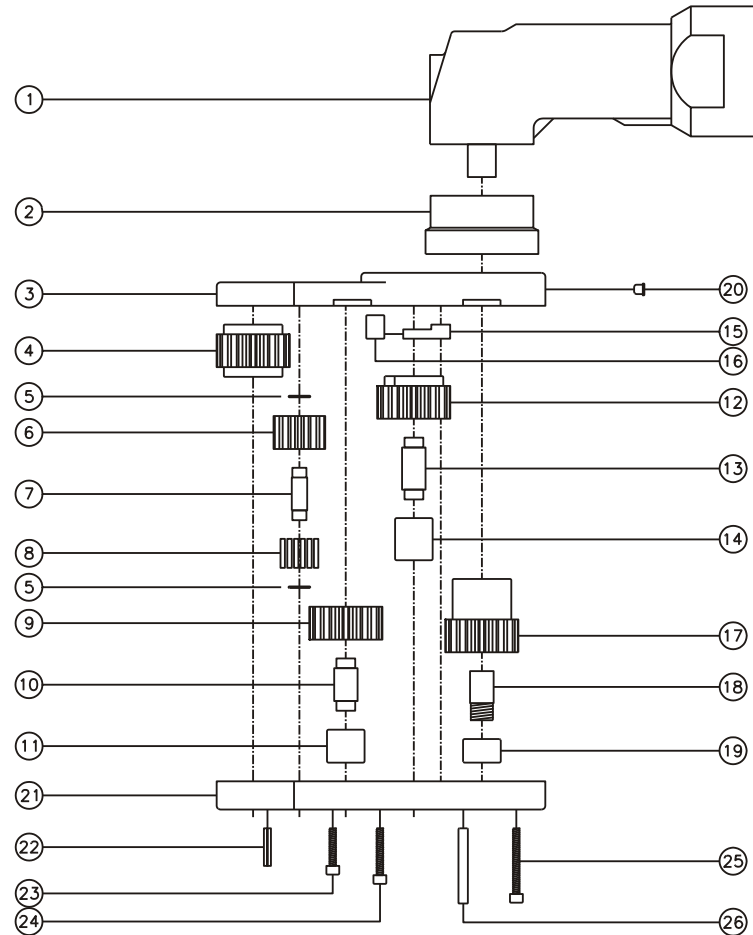
TOP VIEW



GEAR ASSEMBLY



PARTS BLOWOUT



ITEM	DESCRIPTION	PART NO.	ITEM	DESCRIPTION	PART NO.	ITEM	DESCRIPTION	PART NO.
1	Angle Head	GSE 5714	11	Needle Bearing	B-57	21	Gear Housing (Bottom)	262220-1-P
2	Angle Head Adapter	HA 5714	12	Cam Gear	201818-C	22	Roll Pin (2)	RP-608
3	Gear Housing (Top)	262220-1-H	13	Cam Pin	IP-5926	23	Screw #1 (2)	S-408SH
4	Socket Gear	201822-1-XX	14	Needle Bearing	B-59	24	Screw #2 (2)	S-410SH
5	Sm. Thrust Race (4)	W-991-020	15	Pawl	1004-PS-P	25	Screw #3 (4)	S-414SH
6	Sm. Idler Gear (2)	201214	16	Pawl Spring	RSS-0810	26	Dowel Pin (2)	DP-816
7	Sm. Idler Pin (2)	IP-0722	17	Drive Gear	201835-SD			
8	Bearing Needles (28)	LR15M98	18	Drive Pin	TP-5521			
9	Lg. Idler Gear	201814	19	Needle Bearing	B-55			
10	Lg. Idler Pin	IP-5722	20	Grease Fitting	1877			