



D & D PRODUCTION INC.

# ASSEMBLY NO. 251817R-00

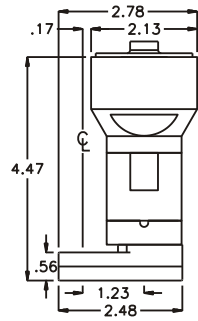
## HEAD NO. 8235

CROWFOOT ASS'Y  
Rev. A  
06-09-01

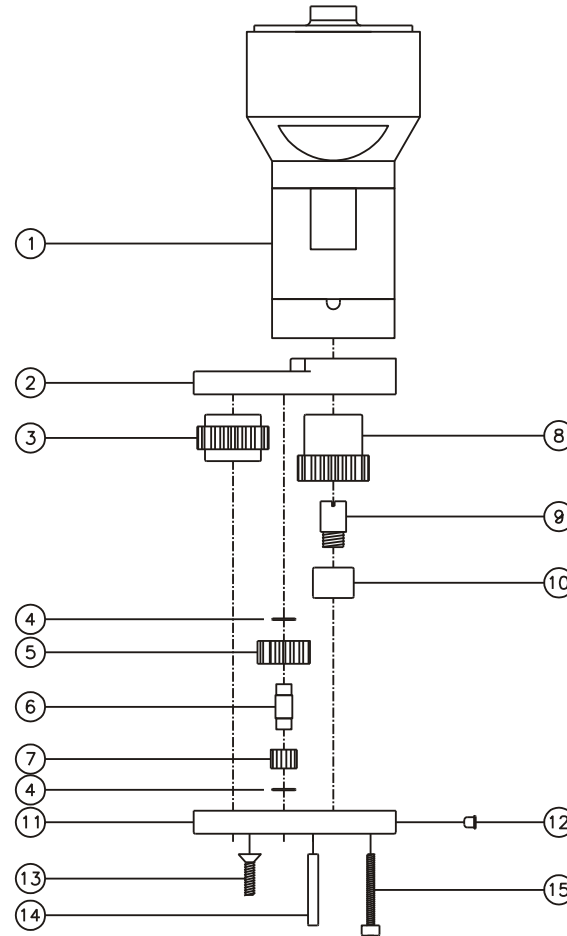
2500 WILLIAMS DRIVE • WATERFORD, MI • 48328

PHONE : (248) 334-2112 • FAX : (248) 334-0062

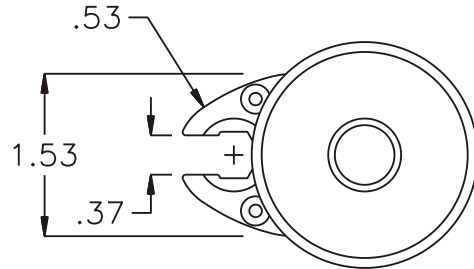
### SIDE VIEW



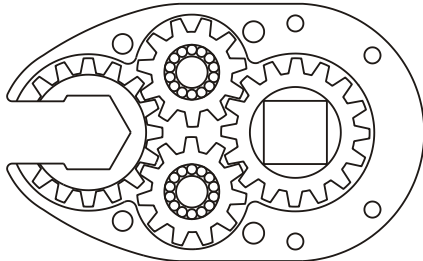
### PARTS BLOWOUT



### TOP VIEW



### GEAR ASSEMBLY



ITEM	DESCRIPTION	PART NO.	ITEM	DESCRIPTION	PART NO.	ITEM	DESCRIPTION	PART NO.
1	Clutch	CTA-10A-ETB6	11	Gear Housing (Bottom)	251817R-00-P			
2	Gear Housing (Top)	251817R-00-H	12	Grease Fitting	1877			
3	Socket Gear	201618-1-XX	13	Screw #1 (2)	S-608			
4	Thrust Race (4)	W-991-020	14	Dowel Pin (2)	DP-814			
5	Idler Gear (2)	201109	15	Screw #2 (4)	S-414SH			
6	Idler Pin (2)	IP-0718						
7	Bearing Needles (28)	LR15M58						
8	Drive Gear	201626-38SD						
9	Drive Pin	TP-5618						
10	Needle Bearing	B-56						