



D & D PRODUCTION INC.

ASSEMBLY NO. 251817R-00

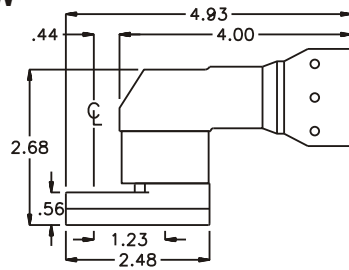
HEAD NO. 8234

CROWFOOT ASS'Y
Rev. A
04-12-99

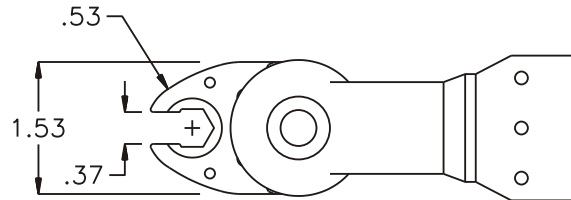
2500 WILLIAMS DRIVE • WATERFORD, MI • 48328

PHONE : (248) 334-2112 • FAX : (248) 334-0062

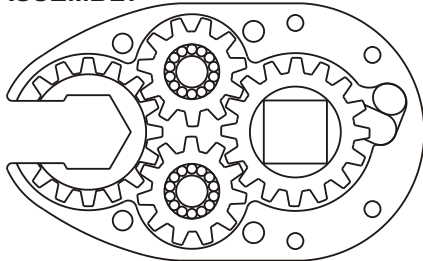
SIDE VIEW



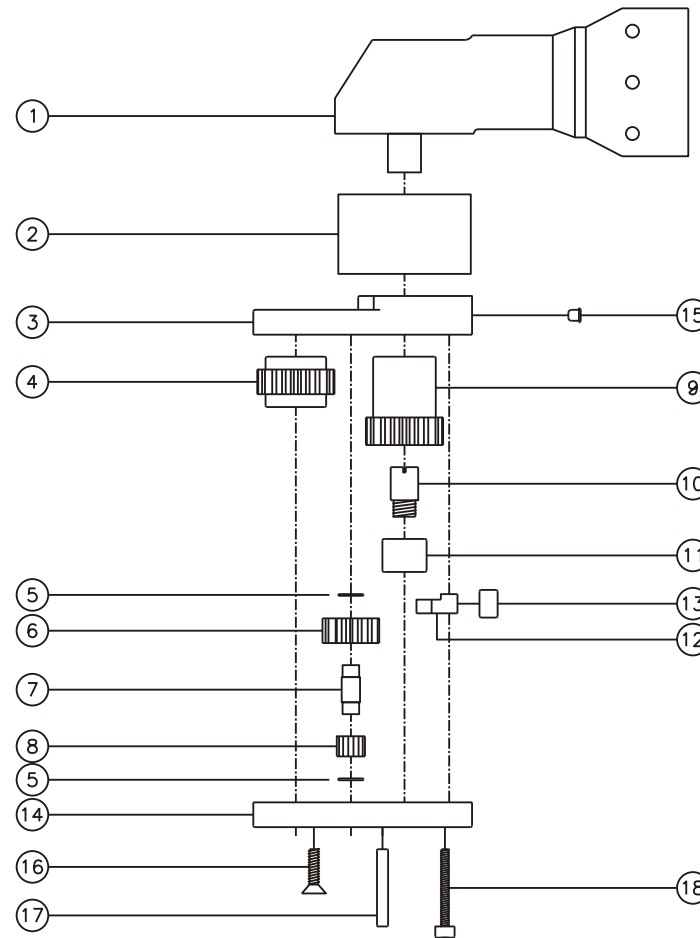
TOP VIEW



GEAR ASSEMBLY



PARTS BLOWOUT



| ITEM | DESCRIPTION | PART NO. | ITEM | DESCRIPTION | PART NO. | ITEM | DESCRIPTION | PART NO. |
|------|----------------------|--------------|------|-----------------------|--------------|------|-------------|----------|
| 1 | Angle Head | S7 | 11 | Needle Bearing | B-56 | | | |
| 2 | Angle Head Adapter | HA 3530 | 12 | Pawl | 8225-P | | | |
| 3 | Gear Housing (Top) | 251817R-00-H | 13 | Pawl Spring | RSS-0810 | | | |
| 4 | Socket Gear | 201618-1-XX | 14 | Gear Housing (Bottom) | 251817R-00-P | | | |
| 5 | Thrust Race (4) | W-991-020 | 15 | Grease Fitting | 1877 | | | |
| 6 | Idler Gear (2) | 201109 | 16 | Screw #1 (2) | S-608 | | | |
| 7 | Idler Pin (2) | IP-0718 | 17 | Dowel Pin (2) | DP-814 | | | |
| 8 | Bearing Needles (28) | LR15M58 | 18 | Screw #2 (4) | S-414SH | | | |
| 9 | Drive Cam Gear | 201632F-SDC | | | | | | |
| 10 | Drive Cam Pin | TP-5618 | | | | | | |