



D & D PRODUCTION INC.

ASSEMBLY NO. 251817R-0

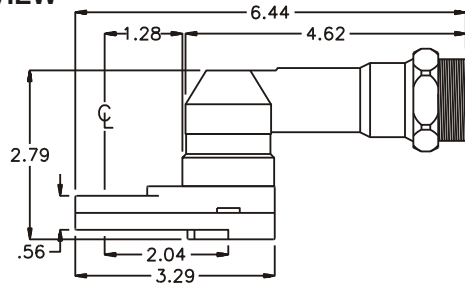
HEAD NO. 8231

CROWFOOT ASS'Y
Rev. B
06-22-01

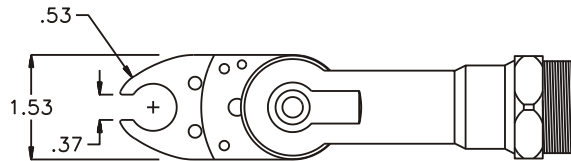
2500 WILLIAMS DRIVE • WATERFORD, MI • 48328

PHONE : (248) 334-2112 • FAX : (248) 334-0062

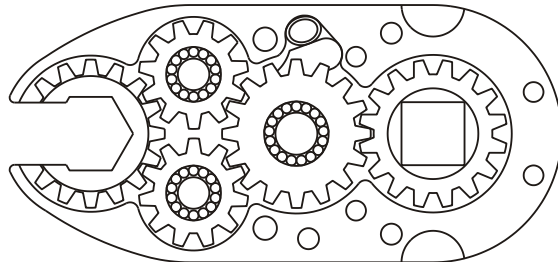
SIDE VIEW



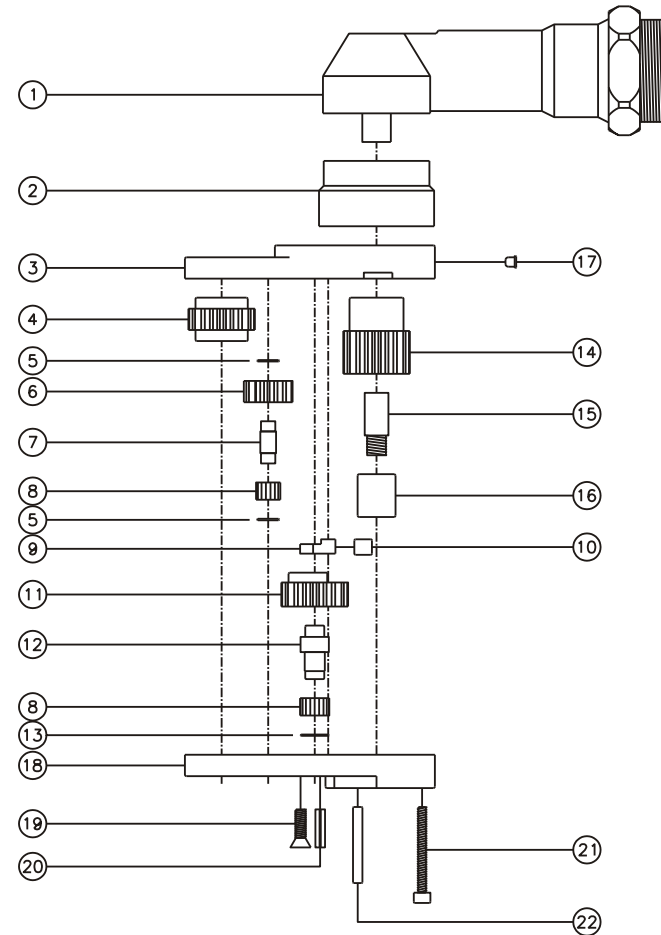
TOP VIEW



GEAR ASSEMBLY



PARTS BLOWOUT



ITEM	DESCRIPTION	PART NO.	ITEM	DESCRIPTION	PART NO.	ITEM	DESCRIPTION	PART NO.
1	Angle Head	ETV 40	11	Cam Gear	201614-CR	21	Screw #2 (4)	S-618SH
2	Angle Head Adapter	HA 3530R	12	Cam Pin	IP-0823	22	Dowel Pin (2)	DP-816
3	Gear Housing (Top)	251817R-0-H	13	Thrust Race	W-1390-016			
4	Socket Gear	201618-1-XX	14	Drive Gear	201632-SD			
5	Thrust Race (4)	W-991-020	15	Drive Pin	TP-5926LH			
6	Idler Gear (2)	201109	16	Needle Bearing	B-59			
7	Idler Pin (2)	IP-0718	17	Grease Fitting	1877			
8	Bearing Needles (45)	LR15M58	18	Gear Housing (Bottom)	251817R-0-P			
9	Pawl	8225-P	19	Screw #1 (2)	S-808			
10	Pawl Spring	RS-0810	20	Roll Pin	RP-808			