



D & D PRODUCTION INC.®

# ASSEMBLY NO. 251817K-1

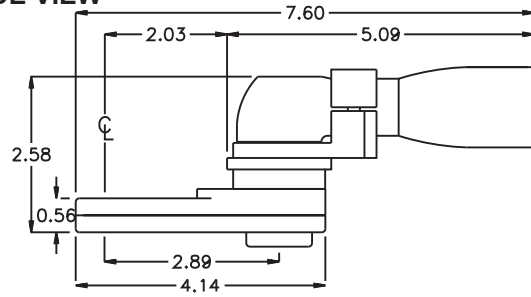
## HEAD NO. 8280

TUBENUT ASS'Y  
Rev. A  
07-06-10

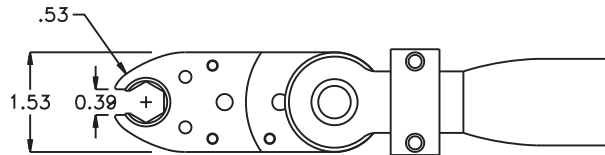
2500 WILLIAMS DRIVE • WATERFORD, MI • 48328

PHONE : (248) 334-2112 • FAX : (248) 334-0062

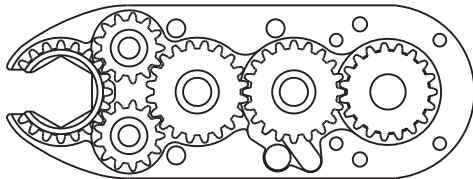
### SIDE VIEW



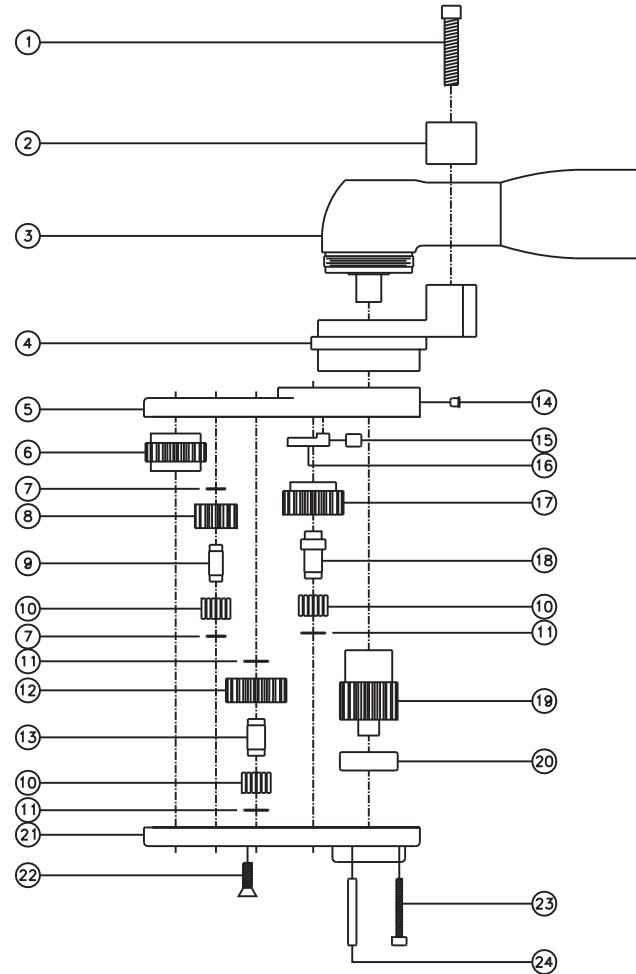
### TOP VIEW



### GEAR ASSEMBLY



### PARTS BLOWOUT



ITEM	DESCRIPTION	PART NO.	ITEM	DESCRIPTION	PART NO.	ITEM	DESCRIPTION	PART NO.
1	Screw #1 (2)	S-1016SHC	11	Lg. Thrust Race (3)	W-1390-016	21	Gear Housing (Bottom)	251817K-1-P
2	Yoke	FA-2423-ST61-10C	12	Lg. Idler Gear	242011	22	Screw #2 (3)	S-808
3	Motor	ETV ST61-50-10	13	Lg. Idler Pin	IP-0818B	23	Screw #3 (4)	S-414SH
4	Adapter	FA-2423-ST61-10B	14	Grease Fitting	1877	24	Dowel Pin (2)	DP-816
5	Gear Housing (Top)	251817K-1-H	15	Pawl Spring	RSS-0810			
6	Socket Gear	242018B-1-XX	16	Pawl	8210-P			
7	Sm. Thrust Race (4)	W-991-020	17	Cam Gear	242015-C			
8	Sm. Idler Gear (2)	241311B	18	Cam Pin	IP-0823B			
9	Sm. Idler Pin (2)	IP-0718B	19	Drive Gear	241941-38SD			
10	Bearing Needles (62)	LR15M78	20	Ball Bearing	38KD			