



D & D PRODUCTION INC.®

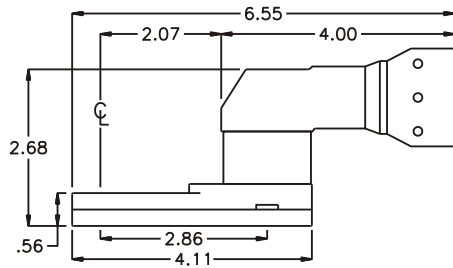
ASSEMBLY NO. 251817F-1

HEAD NO. 8253

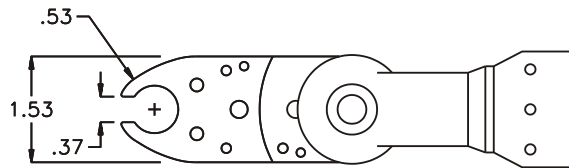
CROWFOOT ASS'Y
Rev. A
11-19-02

2500 WILLIAMS DRIVE • WATERFORD, MI • 48328 PHONE : (248) 334-2112 • FAX : (248) 334-0062

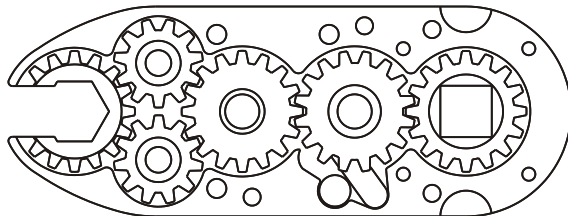
SIDE VIEW



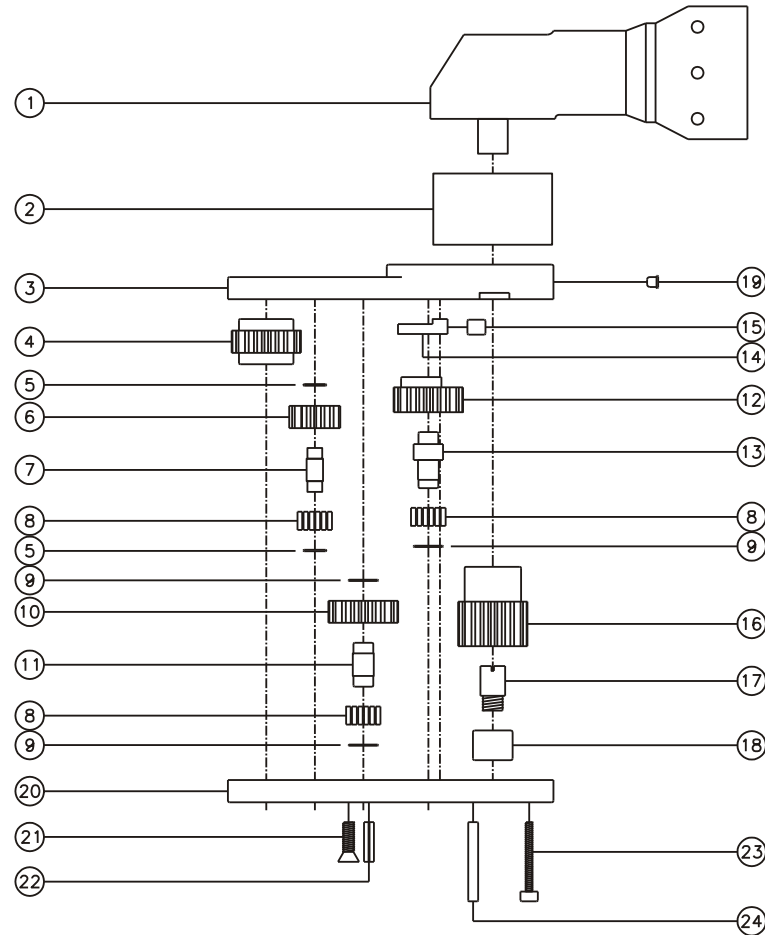
TOP VIEW



GEAR ASSEMBLY



PARTS BLOWOUT



ITEM	DESCRIPTION	PART NO.	ITEM	DESCRIPTION	PART NO.	ITEM	DESCRIPTION	PART NO.
1	Angle Head	S7	11	Lg. Idler Pin	IP-0818	21	Screw #1 (3)	S-808
2	Angle Head Adapter	HA 3530	12	Cam Gear	201614-C	22	Roll Pin (2)	RP-808
3	Gear Housing (Top)	251817F-1-H	13	Cam Pin	IP-0823	23	Screw #2 (4)	S-414SH
4	Socket Gear	201618-1-XX	14	Pawl	8210-P	24	Dowel Pin (2)	DP-816
5	Sm. Thrust Race (4)	W-991-020	15	Pawl Spring	RSS-0810			
6	Sm. Idler Gear (2)	201109	16	Drive Gear	201632F-SD			
7	Sm. Idler Pin (2)	IP-0718	17	Drive Pin	TP-5618			
8	Bearing Needles (62)	LR15M58	18	Needle Bearing	B-56			
9	Lg. Thrust Race (3)	W-1390-016	19	Grease Fitting	1877			
10	Lg. Idler Gear	201609	20	Gear Housing (Bottom)	251817F-1-P			