

D & D PRODUCTION INC.®

ASSEMBLY NO. 251817F-0

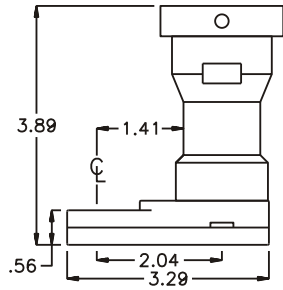
HEAD NO. 8217

CROWFOOT ASS'Y
Rev. A
03-26-03

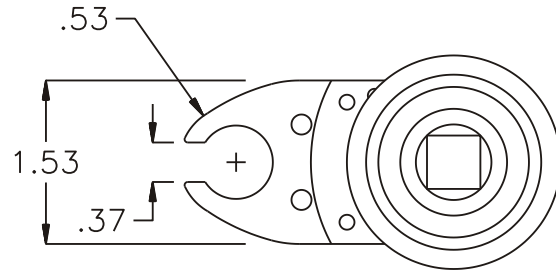
2500 WILLIAMS DRIVE • WATERFORD, MI • 48328

PHONE : (248) 334-2112 • FAX : (248) 334-0062

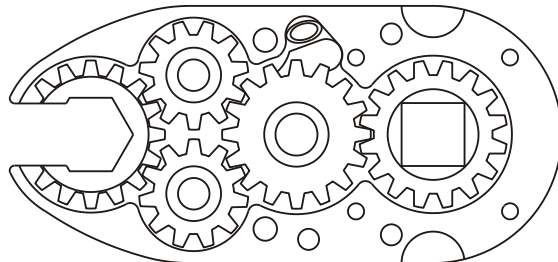
SIDE VIEW



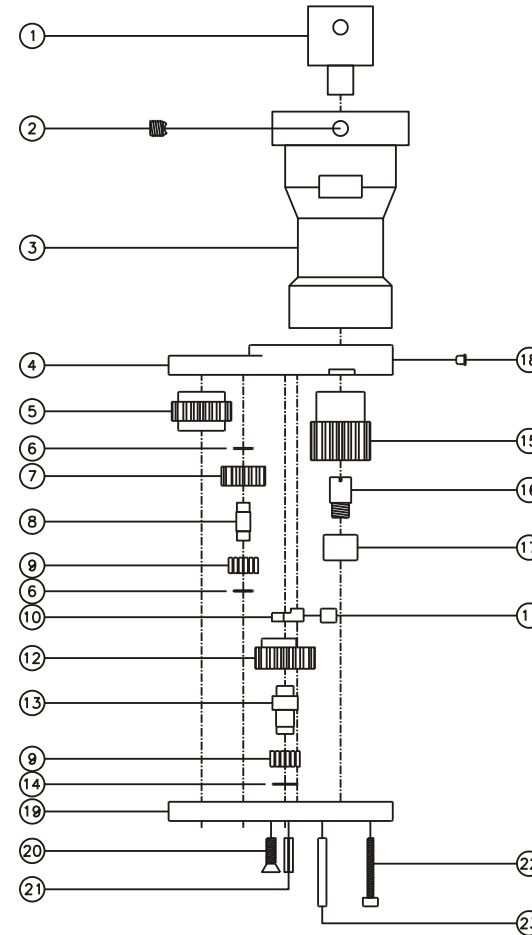
TOP VIEW



GEAR ASSEMBLY



PARTS BLOWOUT



ITEM	DESCRIPTION	PART NO.	ITEM	DESCRIPTION	PART NO.	ITEM	DESCRIPTION	PART NO.
1	Drive Shaft	DS-12F38M3041	11	Pawl Spring	RS-0810	21	Roll Pin	RP-808
2	Set Screw (2)	SS-1403F	12	Cam Gear	201614-CR	22	Screw #2 (4)	S-414SH
3	Adapter	HAL-2441-ETD13	13	Cam Pin	IP-0823	23	Dowel Pin (2)	DP-816
4	Gear Housing (Top)	251817F-0-H	14	Thrust Race	W-1390-016			
5	Socket Gear	201618-1-XX	15	Drive Gear	201632F-SD			
6	Thrust Race (4)	W-991-020	16	Drive Pin	TP-5619LH			
7	Idler Gear (2)	201109	17	Needle Bearing	B-56			
8	Idler Pin (2)	IP-0718	18	Grease Fitting	1877			
9	Bearing Needles (45)	LR15M58	19	Gear Housing (Bottom)	251817F-0-P			
10	Pawl	8225-P	20	Screw #1 (2)	S-808			