



D & D PRODUCTION INC.

ASSEMBLY NO. 251817-1

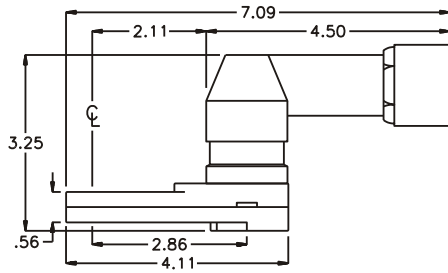
HEAD NO. 8230

CROWFOOT ASS'Y
Rev. A
07-31-94

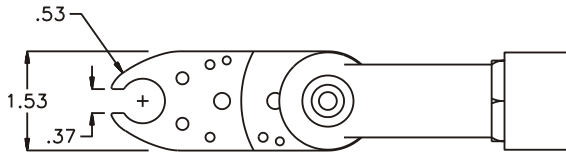
2500 WILLIAMS DRIVE • WATERFORD, MI • 48328

PHONE : (248) 334-2112 • FAX : (248) 334-0062

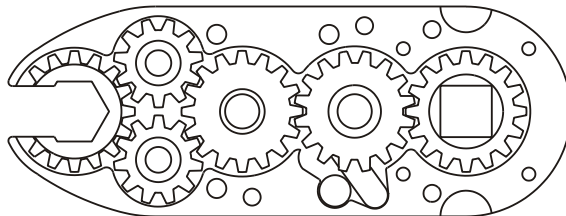
SIDE VIEW



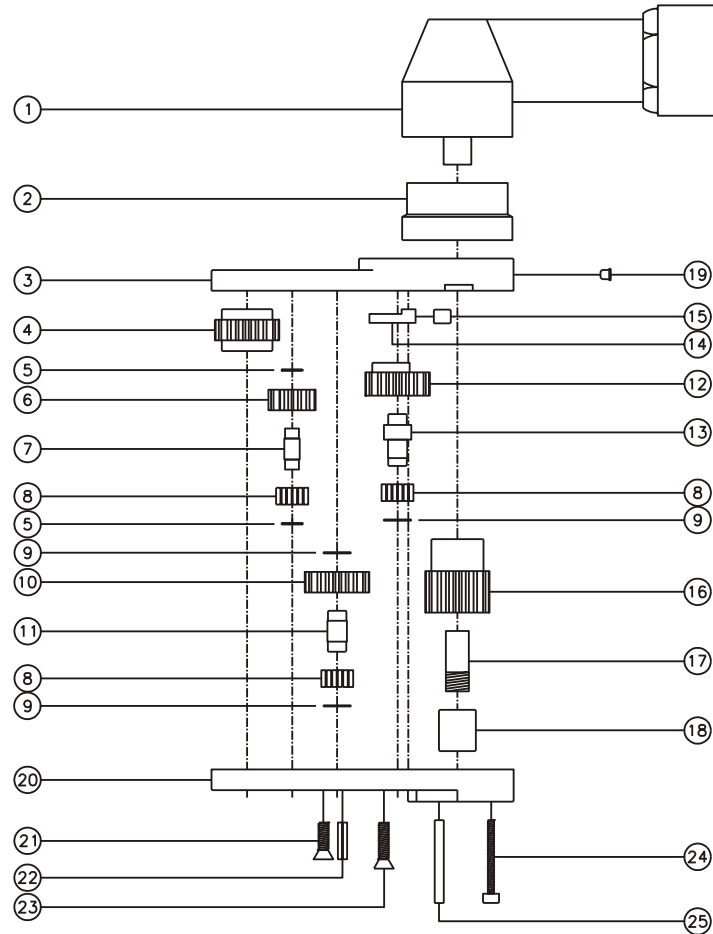
TOP VIEW



GEAR ASSEMBLY



PARTS BLOWOUT



ITEM	DESCRIPTION	PART NO.	ITEM	DESCRIPTION	PART NO.	ITEM	DESCRIPTION	PART NO.
1	Angle Head	AM3	11	Lg. Idler Pin	IP-0818	21	Screw #1 (2)	S-808
2	Angle Head Adapter	HA 3530	12	Cam Gear	201614-C	22	Roll Pin (2)	RP-808
3	Gear Housing (Top)	251817-1-H	13	Cam Pin	IP-0823	23	Screw #2	S-810
4	Socket Gear	201618-1-XX	14	Pawl	8210-P	24	Screw #3 (4)	S-418SH
5	Sm. Thrust Race (4)	W-991-020	15	Pawl Spring	RSS-0810	25	Dowel Pin (2)	DP-818
6	Sm. Idler Gear (2)	201109	16	Drive Gear	201632-SD			
7	Sm. Idler Pin (2)	IP-0718	17	Drive Pin	TP-5926			
8	Bearing Needles (62)	LR15M58	18	Needle Bearing	B-59			
9	Lg. Thrust Race (3)	W-1390-016	19	Grease Fitting	1877			
10	Lg. Idler Gear	201609	20	Gear Housing (Bottom)	251817-1-P			