

D & D PRODUCTION INC.

ASSEMBLY NO. 243016L-3

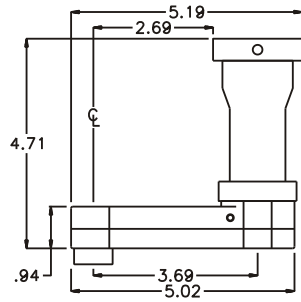
HEAD NO. 3432

CROWFOOT ASS'Y
Rev. A
03-30-01

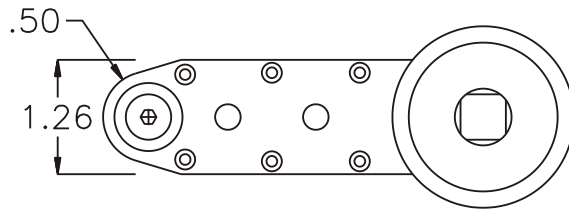
2500 WILLIAMS DRIVE • WATERFORD, MI • 48328

PHONE : (248) 334-2112 • FAX : (248) 334-0062

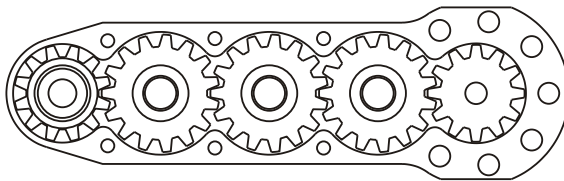
SIDE VIEW



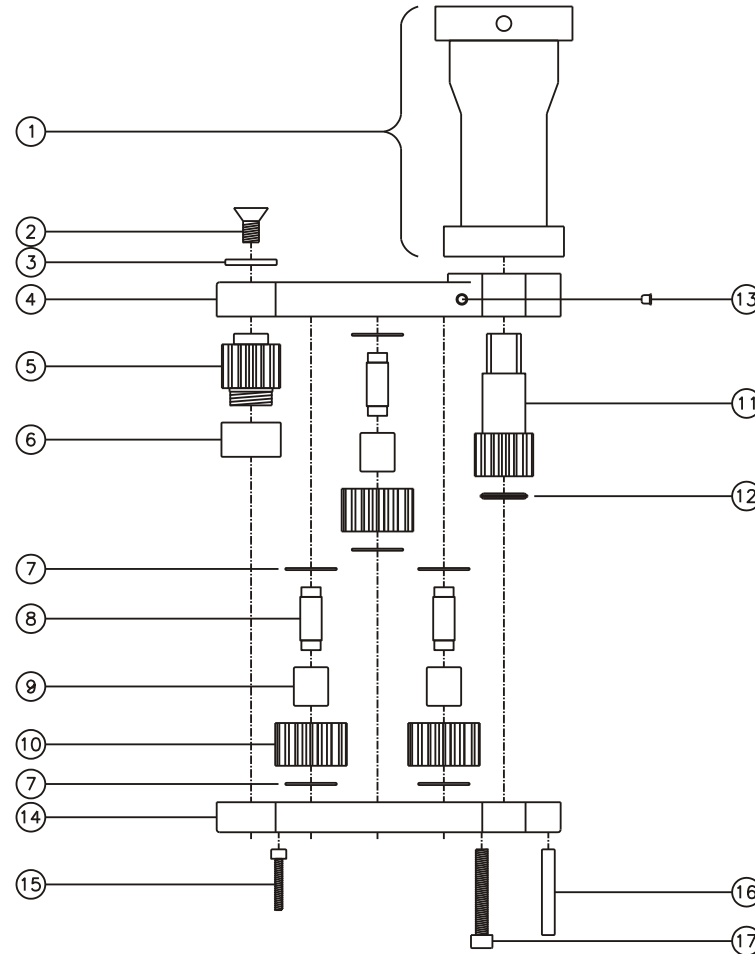
TOP VIEW



GEAR ASSEMBLY



PARTS BLOWOUT



ITEM	DESCRIPTION	PART NO.	ITEM	DESCRIPTION	PART NO.	ITEM	DESCRIPTION	PART NO.
1	Offset Coupling Assembly	OC-C13	11	Drive Gear	161266-12MSD			
2	Socket Retainer Screw	S-1416F	12	Thrust Bearing	NTA-411			
3	Socket Retainer Washer	W-241305	13	Grease Fitting	1877			
4	Gear Housing (Top)	243016L-3-H	14	Gear Housing (Bottom)	243016L-3-P			
5	Socket Gear	161233-TS	15	Screw #1 (6)	S-612SH			
6	Threaded Socket	TS-1870-USD	16	Dowel Pin (3)	DP-1220			
7	Thrust Race (6)	TRA-512	17	Screw #2 (4)	S-1020SH			
8	Idler Pin (3)	IP-5930						
9	Needle Bearing (3)	B-59						
10	Idler Gear (3)	161520						