



D & D PRODUCTION INC.®

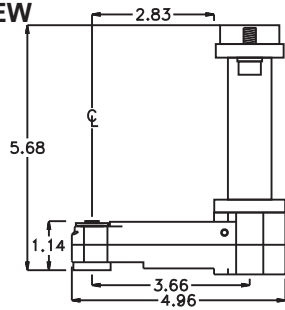
ASSEMBLY NO. 242616M-3 HEAD NO. 3424M

CROWFOOT ASS'Y
Rev. A
05-13-09

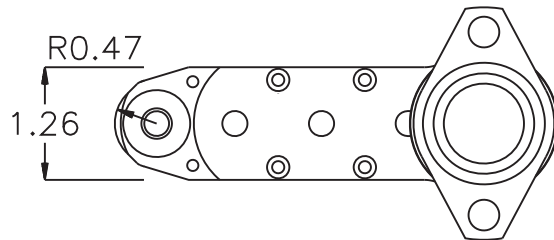
FOR BOSCH 0-608-701-017 MOTOR

2500 WILLIAMS DRIVE • WATERFORD, MI • 48328 PHONE : (248) 334-2112 • FAX : (248) 334-0062

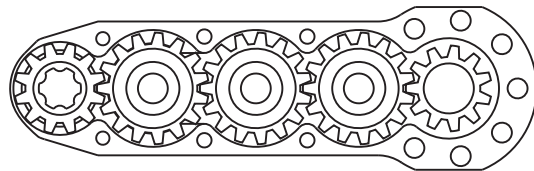
SIDE VIEW



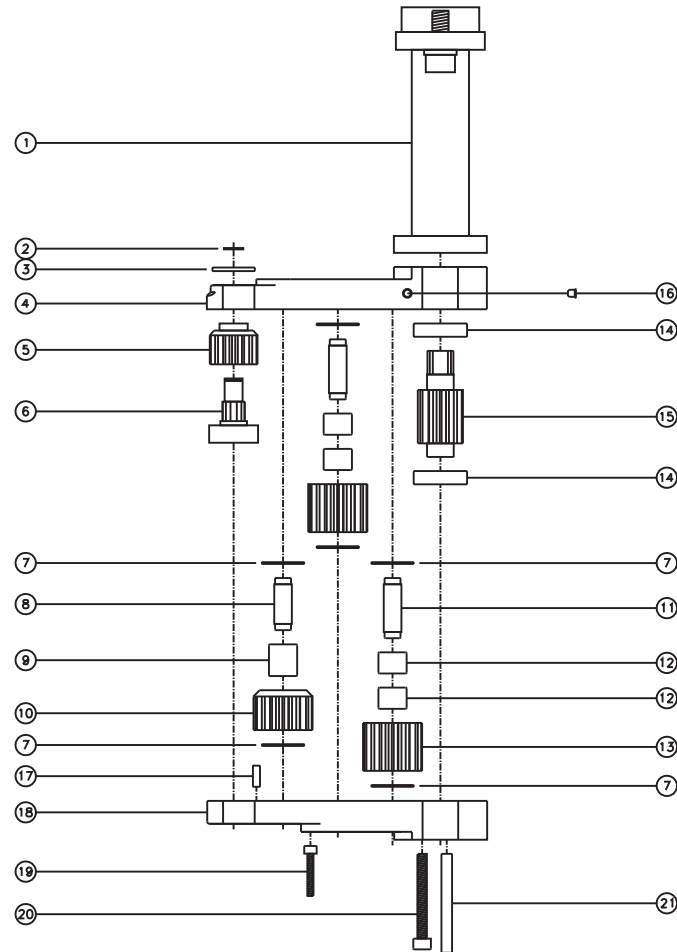
TOP VIEW



GEAR ASSEMBLY



PARTS BLOWOUT



| ITEM | DESCRIPTION | PART NO. | ITEM | DESCRIPTION | PART NO. | ITEM | DESCRIPTION | PART NO. |
|------|--------------------------|---------------|------|-----------------------|---------------|------|------------------|----------|
| 1 | Offset Coupling Assembly | OC-053-017 | 11 | Large Idler Pin (2) | IP-56D34 | 21 | Dowel Pin #2 (3) | DP-1228 |
| 2 | Snap Ring | SH-31 | 12 | Needle Bearing (4) | B-56 | | | |
| 3 | Thrust Race | TRB-512 | 13 | Large Idler Gear (2) | 161527 | | | |
| 4 | Gear Housing (Top) | 242616M-3-H-C | 14 | Ball Bearing (2) | 61901 | | | |
| 5 | Socket Gear | 161223-TS | 15 | Drive Gear | 161160-38MSD | | | |
| 6 | Socket Gear Insert | TS-16-A-C | 16 | Grease Fitting | 1877 | | | |
| 7 | Thrust Race (6) | TRA-512 | 17 | Dowel Pin #1 (2) | DP-806 | | | |
| 8 | Small Idler Pin | IP-5930B | 18 | Gear Housing (Bottom) | 242616M-3-P-C | | | |
| 9 | Needle Bearing | B-59 | 19 | Screw #1 (4) | S-612SH | | | |
| 10 | Small Idler Gear | 161523 | 20 | Screw #2 (4) | S-1024SH | | | |