



D & D PRODUCTION INC.®

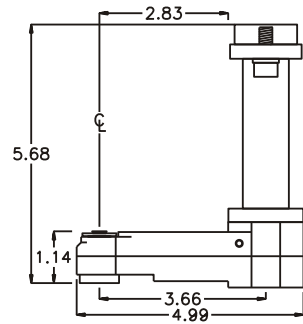
ASSEMBLY NO. 242616-3 HEAD NO. 3424

CROWFOOT ASS'Y
Rev. A
03-30-04

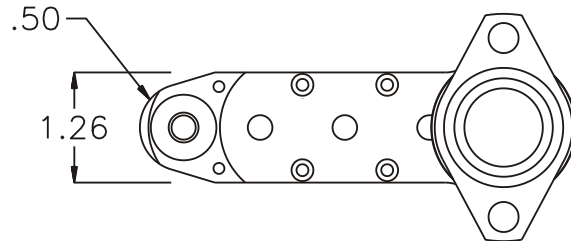
FOR BOSCH 0-608-701-017 MOTOR

2500 WILLIAMS DRIVE • WATERFORD, MI • 48328 PHONE : (248) 334-2112 • FAX : (248) 334-0062

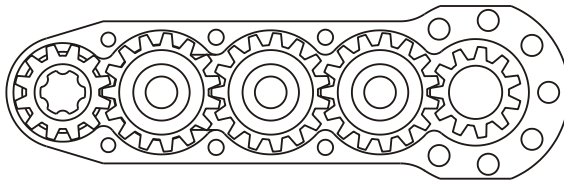
SIDE VIEW



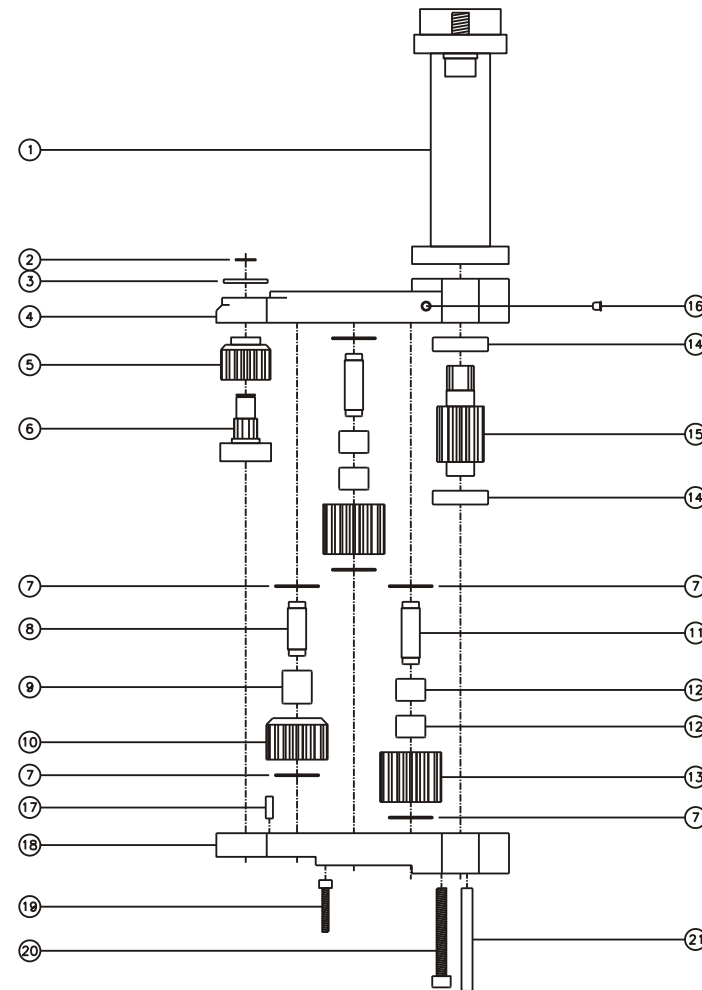
TOP VIEW



GEAR ASSEMBLY



PARTS BLOWOUT



ITEM	DESCRIPTION	PART NO.	ITEM	DESCRIPTION	PART NO.	ITEM	DESCRIPTION	PART NO.
1	Offset Coupling Assembly	OC-053-017	11	Large Idler Pin (2)	IP-56D34	21	Dowel Pin #2 (3)	DP-1228
2	Snap Ring	SH-31	12	Needle Bearing (4)	B-56			
3	Thrust Race	TRB-512	13	Large Idler Gear (2)	161527			
4	Gear Housing (Top)	242616-3-H	14	Ball Bearing (2)	61901			
5	Socket Gear	161223-TS	15	Drive Gear	161160-38MSD			
6	Socket Gear Insert	TS-XX-A	16	Grease Fitting	1877			
7	Thrust Race (6)	TRA-512	17	Dowel Pin #1 (2)	DP-806			
8	Small Idler Pin	IP-5930B	18	Gear Housing (Bottom)	242616-3-P			
9	Needle Bearing	B-59	19	Screw #1 (4)	S-612SH			
10	Small Idler Gear	161523	20	Screw #2 (4)	S-1024SH			