

D & D PRODUCTION INC.®

# ASSEMBLY NO. 242015A-3

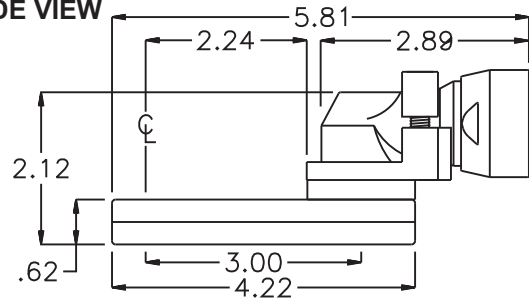
## HEAD NO. 3279

CROWFOOT ASS'Y  
Rev. A  
11/01/10

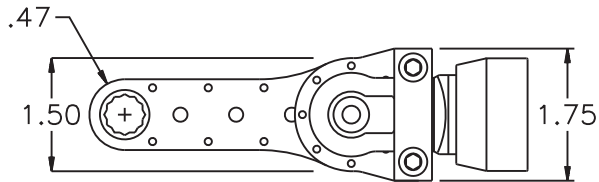
2500 WILLIAMS DRIVE • WATERFORD, MI • 48328

PHONE : (248) 334-2112 • FAX : (248) 334-0062

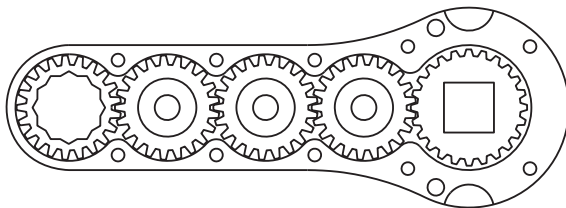
### SIDE VIEW



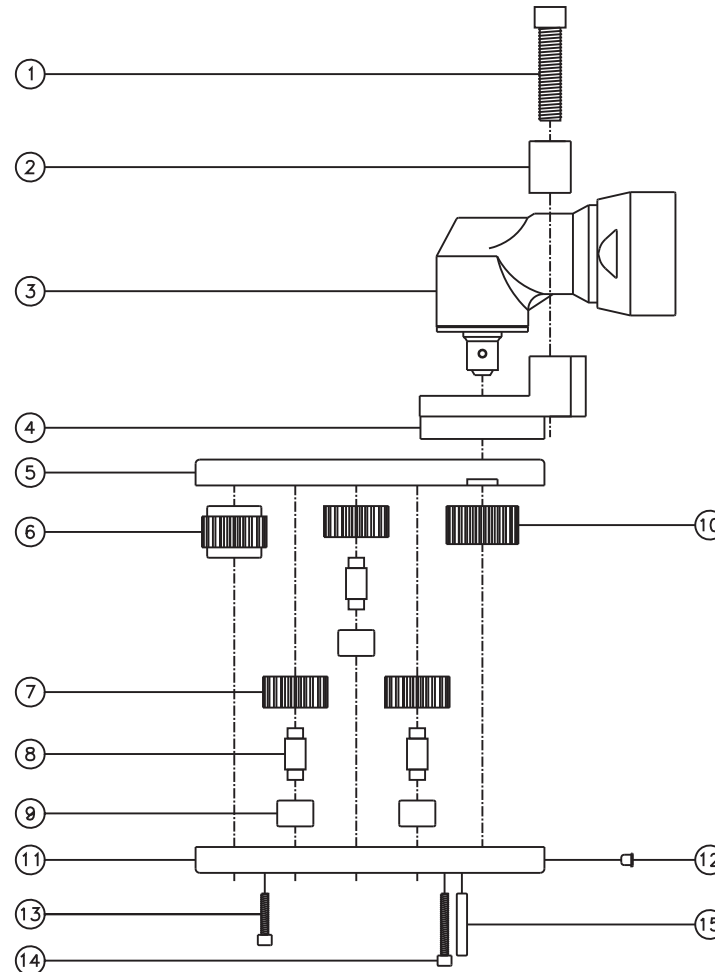
### TOP VIEW



### GEAR ASSEMBLY



### PARTS BLOWOUT



| ITEM | DESCRIPTION        | PART NO.       | ITEM | DESCRIPTION           | PART NO.   | ITEM | DESCRIPTION | PART NO. |
|------|--------------------|----------------|------|-----------------------|------------|------|-------------|----------|
| 1    | Screw #1 (2)       | S-1416SH       | 11   | Gear Housing (Bottom) | 242015-3-P |      |             |          |
| 2    | Adapter Yoke       | FA-2609C-M80-A | 12   | Grease Fitting        | 1877       |      |             |          |
| 3    | Motor              | HFT-025M80-A   | 13   | Screw #2 (6)          | S-408SH    |      |             |          |
| 4    | Angle Head Adapter | FA-2409B-A025  | 14   | Screw #3 (4)          | S-412SH    |      |             |          |
| 5    | Gear Housing (Top) | 242015A-3-H    | 15   | Dowel Pin (2)         | DP-812     |      |             |          |
| 6    | Socket Gear        | 302120-XX      |      |                       |            |      |             |          |
| 7    | Idler Gear (3)     | 302112         |      |                       |            |      |             |          |
| 8    | Idler Pin (3)      | IP-4520        |      |                       |            |      |             |          |
| 9    | Needle Bearing (3) | B-45           |      |                       |            |      |             |          |
| 10   | Drive Gear         | 302415-SD      |      |                       |            |      |             |          |