



D & D PRODUCTION INC.

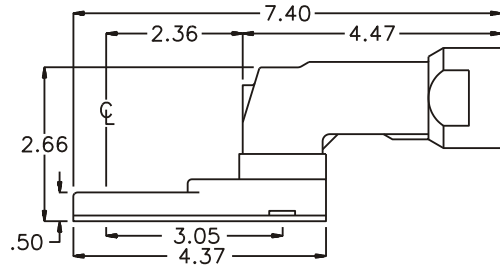
# ASSEMBLY NO. 241620A-1

## HEAD NO. 8356

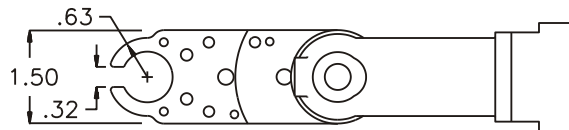
CROWFOOT ASS'Y  
Rev. C  
02-21-01

2500 WILLIAMS DRIVE • WATERFORD, MI • 48328 PHONE : (248) 334-2112 • FAX : (248) 334-0062

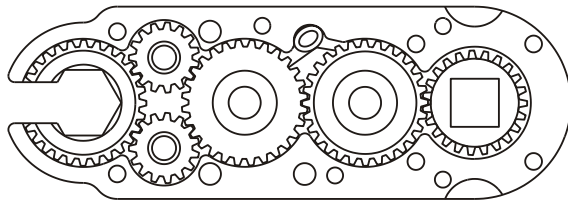
### SIDE VIEW



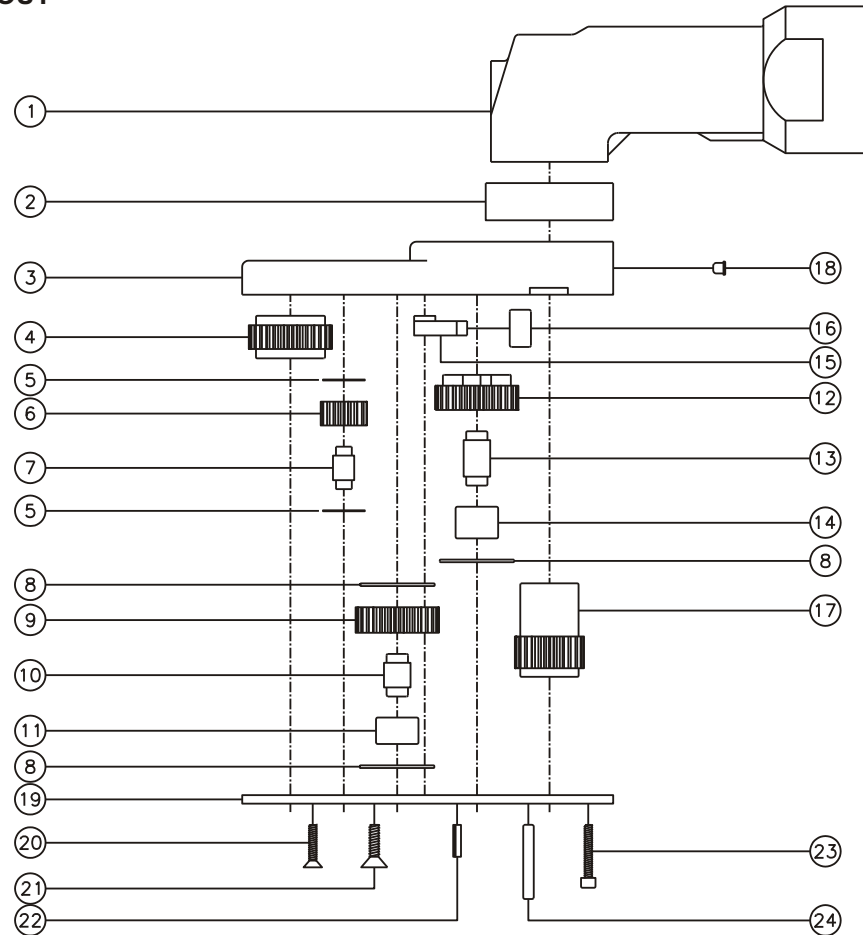
### TOP VIEW



### GEAR ASSEMBLY



### PARTS BLOWOUT



ITEM	DESCRIPTION	PART NO.	ITEM	DESCRIPTION	PART NO.	ITEM	DESCRIPTION	PART NO.
1	Angle Head	GSE 5714	11	Needle Bearing	B-55	21	Screw #2 (3)	S-608
2	Angle Head Adapter	HA 5714	12	Cam Gear	302814-C	22	Roll Pin (2)	RP-806
3	Gear Housing	241620A-1-H	13	Cam Pin	IP-5620	23	Screw #3 (4)	S-410SH
4	Socket Gear	302816-1-XX	14	Needle Bearing	B-56	24	Dowel Pin (2)	DP-814
5	Sm. Thrust Race (4)	TRA-010	15	Pawl	8356-P			
6	Sm. Idler Gear (2)	301510	16	Pawl Spring	RS-0814			
7	Sm. Idler Pin (2)	IP-0816B	17	Drive Gear	302335-SD			
8	Lg. Thrust Race (3)	TRA-411	18	Grease Fitting	1877			
9	Lg. Idler Gear	302810	19	Bottom Plate	241620A-1-P			
10	Lg. Idler Pin	IP-5516	20	Screw #1 (2)	S-408			