

D & D PRODUCTION INC.®

ASSEMBLY NO. 241618-1-5

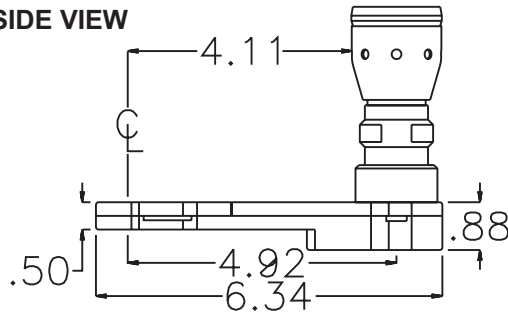
HEAD NO. 5358

CROWFOOT ASS'Y
Rev. A
01-18-07

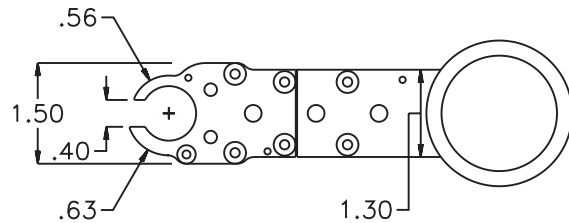
2500 WILLIAMS DRIVE • WATERFORD, MI • 48328

PHONE : (248) 334-2112 • FAX : (248) 334-0062

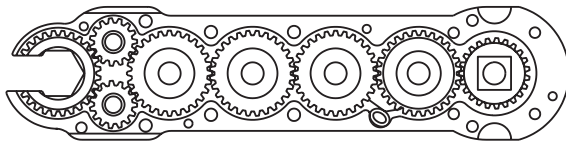
SIDE VIEW



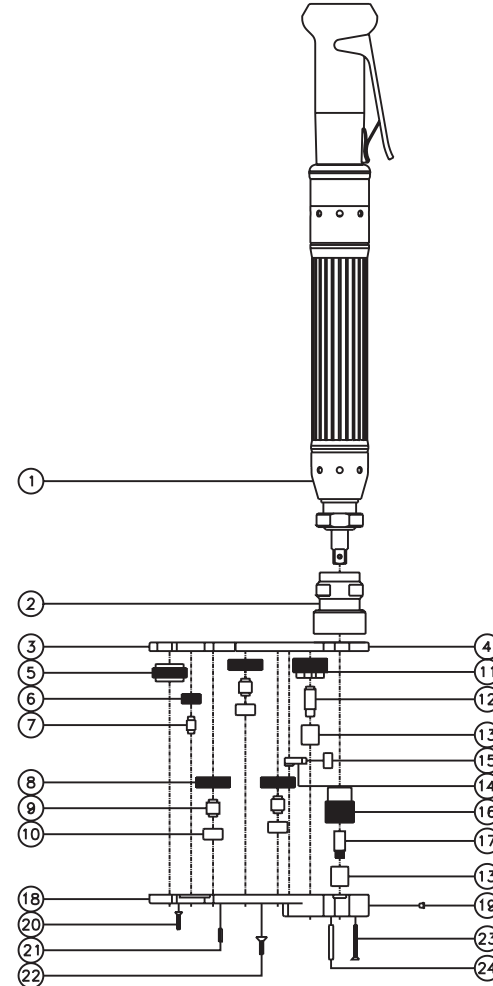
TOP VIEW



GEAR ASSEMBLY



PARTS BLOWOUT



ITEM	DESCRIPTION	PART NO.	ITEM	DESCRIPTION	PART NO.	ITEM	DESCRIPTION	PART NO.
1	Motor	ETD-DS7-30-10S	11	Cam Gear	302818-C	21	Roll Pin (2)	RP-606
2	Adapter	HAL-2431-10	12	Cam Pin	IP-5928A	22	Screw #2 (7)	S-608
3	Top Plate (Front)	241618-1-5-FP	13	Needle Bearing (2)	B-59	23	Screw #3 (4)	S-416
4	Top Plate (Rear)	241618-1-5-RP	14	Pawl	0805-PS-P	24	Dowel Pin (2)	DP-816
5	Socket Gear	302816-XX	15	Pawl Spring	RS-0814			
6	Sm. Idler Gear (2)	301509	16	Drive Gear	302332-38SD			
7	Sm. Idler Pin (2)	IP-0816B	17	Drive Gear Pin	TP-5925			
8	Lg. Idler Gear (3)	302810	18	Gear Housing	241618-1-5-H			
9	Lg. Idler Pin (3)	IP-6516B	19	Grease Fitting	1877			
10	Needle Bearing (3)	B-65	20	Screw #1	S-408			