



D & D PRODUCTION INC.

# ASSEMBLY NO. 241618-1-5

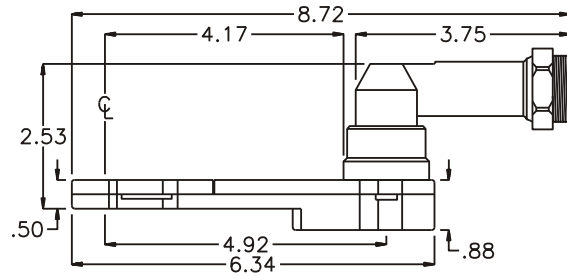
## HEAD NO. 5354

CROWFOOT ASS'Y  
Rev. E  
08-18-01

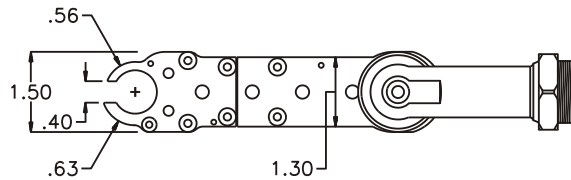
2500 WILLIAMS DRIVE • WATERFORD, MI • 48328

PHONE : (248) 334-2112 • FAX : (248) 334-0062

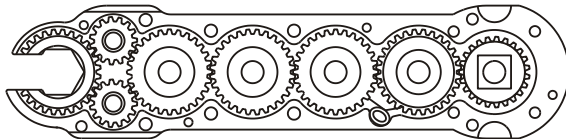
### SIDE VIEW



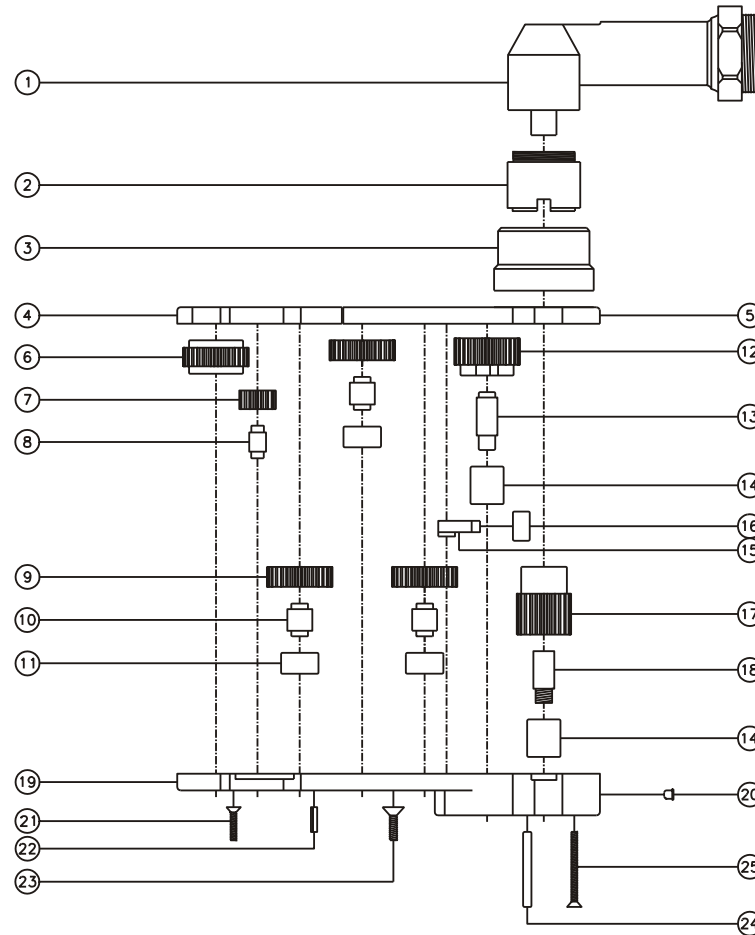
### TOP VIEW



### GEAR ASSEMBLY



### PARTS BLOWOUT



ITEM	DESCRIPTION	PART NO.	ITEM	DESCRIPTION	PART NO.	ITEM	DESCRIPTION	PART NO.
1	Angle Head w/ End Cap	ETV30	11	Lg. Needle Bearing (3)	B-65	21	Screw #1	S-408
2	Modified End Cap	EC 2222	12	Cam Gear	302818-C	22	Roll Pin (4)	RP-606
3	Angle Head Adapter	HA 3530	13	Cam Pin	IP-5928A	23	Screw #2 (6)	S-608
4	Top Plate (Front)	241618-1-5-FP	14	Needle Bearing (2)	B-59	24	Dowel Pin (2)	DP-818
5	Top Plate (Rear)	241618-1-5-RP	15	Pawl	0805-PS-P	25	Screw #3 (4)	S-418
6	Socket Gear	302816-XX	16	Pawl Spring	RS-0814			
7	Sm. Idler Gear (2)	301509	17	Drive Gear	302332			
8	Sm. Idler Pin (2)	IP-0816B	18	Drive Gear Pin	TP-5925			
9	Lg. Idler Gear (3)	302810	19	Gear Housing	241618-1-5-H			
10	Lg. Idler Pin (3)	IP-6516B	20	Grease Fitting	1877			